

Floor Maintainer

FM 1700HD (HDTR)



Table of Contents

Operator Safety Instructions..... 3-4

The Controls5

How to Prepare the Machine for Operation5

Connection to the Power Supply and the Electrical Ground
 120v.....6

How to Operate the Machine.....7

Accessories8

Maintenance of the Machine8

 Lubrication.....8

 Motor and Gears8

 Repairs8

 Maintenance Inspection8

 Lever to Lock the Handle8

 Maintenance of Brushes.....8

SECTION II Parts Manual

Machine View 26-27


Accessories27

Handle Assembly..... 28-29

Base Assembly 30-31

Wiring Diagram32

Warranty33

 **WARNING:** The Products sold with this Manual contain or may contain chemicals that are known to certain governments (such as the State of California, as identified in its Proposition 65 Regulatory Warning Law) to cause cancer, birth defects or other reproductive harm. In certain locations (including the State of California) purchasers of these Products that place them in service at an employment job site or a publicly accessible space are required by regulation to make certain notices, warnings or disclosures regarding the chemicals that are or may be contained in the Products at or about such work sites. It is the purchaser’s responsibility to know the content of, and to comply with, any laws and regulations relating to the use of these Products in such environments. The Manufacturer disclaims any responsibility to advise purchasers of any specific requirements that may be applicable to the use of the Products in such environments.

MODIFICATIONS

Modifications and additions to the cleaning machine which affect capacity and safe operation shall not be performed by the customer or user without prior written approval from Amano Pioneer Eclipse. Unapproved modifications will void the machine warranty and make the customer liable for any resulting accidents.

OPERATOR SAFETY INSTRUCTIONS

DANGER !

Severe bodily injury or death can occur to you or other personnel if the **DANGER** statements found on this machine or in this Owner's Manual are ignored or are not adhered to. Read and observe all **DANGER** statements found in this Owner's Manual and on your machine.

WARNING !

Injury can occur to you or to other personnel if the **WARNING** statements found on your machine or in this Owner's Manual are ignored or are not adhered to. Read and observe all **WARNING** statements found in this Owner's Manual and on your machine.

CAUTION !

Damage can occur to the machine or to other property if the **CAUTION** statements found on your machine or in this Owner's Manual are ignored or are not adhered to. Read and observe all **CAUTION** statements found in this Owner's Manual and on your machine.

DANGER !

- Failure to read the Owner's Manual prior to operating or attempting any service or maintenance procedure to your machine could result in injury to you or to other personnel; damage to the machine or to other property could occur as well. You must have training in the operation of this machine before using it. **If your operator cannot read English, Spanish or French, have this manual explained fully before attempting to operate this machine.**
- To reduce the risk of fire, use only commercially available floor cleaners and waxes intended for machine application.
- Risk of explosion. Floor sanding can result in an explosive mixture of fine dust and air. To reduce risk of explosion, use floor sanding machine only in well ventilated area.
- Operating a machine that is not completely or fully assembled could result in injury or property damage. Do not operate this machine until it is completely assembled. Inspect the machine carefully before operation.
- Electrocutation could occur if maintenance and repairs are performed on a unit that is not disconnected from the power source. Disconnect the power supply before attempting any maintenance or service. Always remove the electrical plug from the electrical outlet before changing the brush, pad or other attachment and before leaving the machine.
- Using a machine with a damaged power cord could result in an electrocution. Do not use the machine if the power cord is damaged. Do not use the electrical cord to move the machine.

WARNING !

EN ENGLISH

- Maintenance and repairs performed by unauthorized personnel could result in damage or injury. Maintenance and repairs must be performed by authorized personnel only. Keep all fasteners tight. Keep adjustments according to specifications.
- Electrical components of this machine can “short-out” if exposed to water or moisture. Keep the electrical components of the machine dry. Wipe the machine down after each use. For storage, keep the machine in a dry building.
- Always use a three-wire electrical system connected to the electrical ground. For maximum protection against electric shock, use a circuit that is protected by a ground fault interrupter. Consult your electrical contractor.
- To prevent damage to the power cord, do not let the brush, pad, pad driver or wheels touch the power cord when the machine is running. Always lift the cord over the machine. Do not pull the power cord to move the machine.
- Operating a machine without observing all labels and instructional information could result in injury or damage. Read all machine labels before attempting to operate. Make sure all of the labels and instructional information are attached or fastened to the machine. Get replacement labels and decals from your authorized distributor.
- Use of this machine as a step or furniture could result in injury or damage. Do not use this machine as a step or furniture. Do not ride on this machine.
- To avoid injury keep hands, feet and loose clothing away from all moving parts of this machine.
- Injury to operator or bystanders could occur if an abrupt change in floor surface texture is encountered when using this machine. Abrupt change in floor surface texture can cause a sudden pulling motion by this machine. This sudden pulling motion can result in loss of control of the machine which could injure the operator or bystanders. Avoid motions that could cause machine to cross from a smooth floor surface to a carpeted or rough texture floor surface. Avoid motions that could allow the machine to come in contact with low obstacles, such as floor electrical outlets, door stops or entry molding, etc.
- Water solutions or cleaning materials used with this type of machine can leave wet areas on the floor surface. These areas can cause a dangerous condition for the operator or other persons. Always put CAUTION signs near the area being cleaned.

CAUTION !

The machine is heavy. Get assistance before attempting to transport or move it.

NOTE: This machine is intended for commercial use.

THE CONTROLS

The Start/Stop Levers. See figure 1.

The Start/Stop levers are under the handle grips.

The Interlock Switch. See figure 2.

The interlock switch is on the handle assembly under the Start/Stop levers.

The Locking Lever. See figure 3.

The locking lever is on the bottom of the handle assembly at the back of the machine.

HOW TO PREPARE THE MACHINE FOR OPERATION

⚠ WARNING: Always remove the electrical plug from the electrical outlet before installing or removing a brush or accessory.

To connect a brush or pad driver, follow this procedure:

1. Put the handle in the vertical position.
2. To fasten the handle, press down on the locking lever.
3. Put the handle on the floor.
4. Put one foot on each side of the machine. See figure 4.
5. Fit the lugs on the bottom of the machine into the openings in the brush.
6. Turn the brush or accessory clockwise to lock it into position.
7. Turn the brush or accessory counterclockwise to unlock and remove the brush or accessory.
8. Lift the machine to the vertical position.

NOTE: To prevent damage to the brush or pad driver, remove the accessory while not in use.

To connect a solution tank, follow the instructions given with the tank.

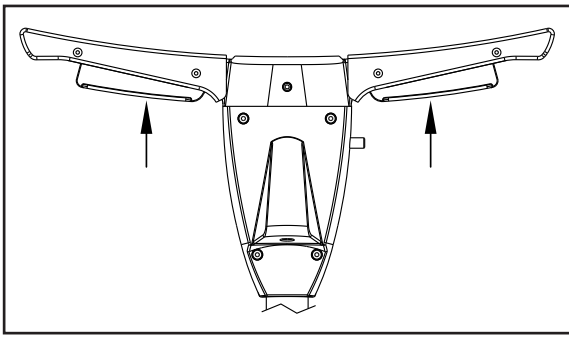


Figure 1

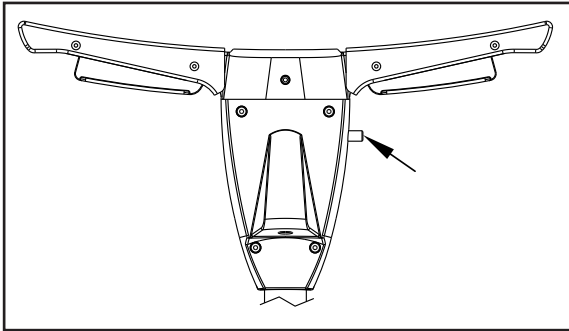


Figure 2

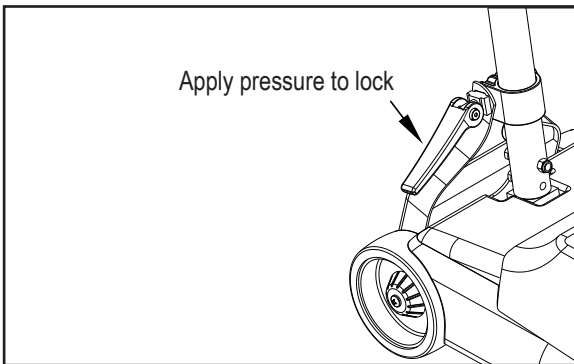


Figure 3

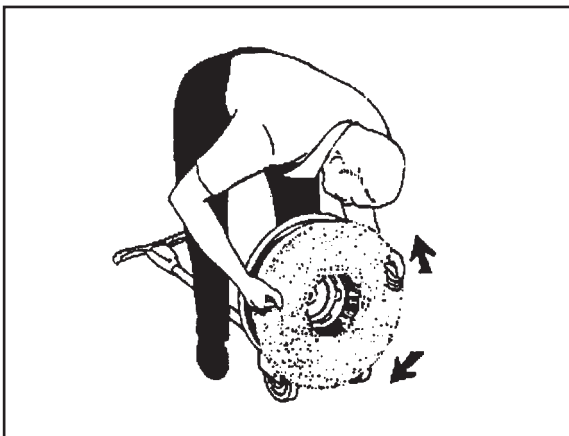


Figure 4

120 VOLT MACHINES

Instructions for connection to the power supply and the electrical ground.

This product must be grounded. If it should malfunction or breakdown, grounding provides a path of least resistance for electric current to reduce the risk of electrical shock. This product is equipped with a cord having an equipment-grounding conductor and grounding plug. The plug must be inserted into an appropriate outlet that is properly installed and grounded in accordance with all local codes and ordinances.

- ⚠ WARNING:** Improper connection of the equipment-grounding conductor can result in a risk of electric shock. Check with a qualified electrician or service person if you are in doubt as to whether the outlet is properly grounded. Do not modify the plug provided with the product - if it will not fit the outlet, have a proper outlet installed by a qualified electrician.

This product is for use on a nominal 120 volt circuit and has a grounding attachment plug that looks like the plug illustrated in Fig. 5. Make sure that the product is connected to an outlet having the same configuration as the plug. No adaptor should be used with this product.

- ⚠ WARNING:** To prevent possible electric shock, protect the machine from rain. Keep the machine in a dry building.
- ⚠ WARNING:** To prevent possible electric shock, always use a 3-wire electrical system connected to the electrical ground. For maximum protection against electrical shock, use a circuit that is protected by a ground fault circuit interrupter. Consult your electrical contractor.
- ⚠ WARNING:** Do not cut, remove or break the ground pin. If the outlet does not fit the plug, consult your electrical contractor.
- ⚠ WARNING:** Have worn, cut or damaged cords replaced by an authorized service person.

EXTENSION CORDS

Use only an approved extension cord with three conductors, a plug with three terminals, and a connector body with three holes. The machine has a power cord with wire size 14 AWG (AWG means American Wire Gauge).

- ⚠ WARNING:** If you use an extension cord, use an extension cord with minimum wire size 12 AWG. Do not use an extension cord longer than 50 feet. Do not join two extension cords.

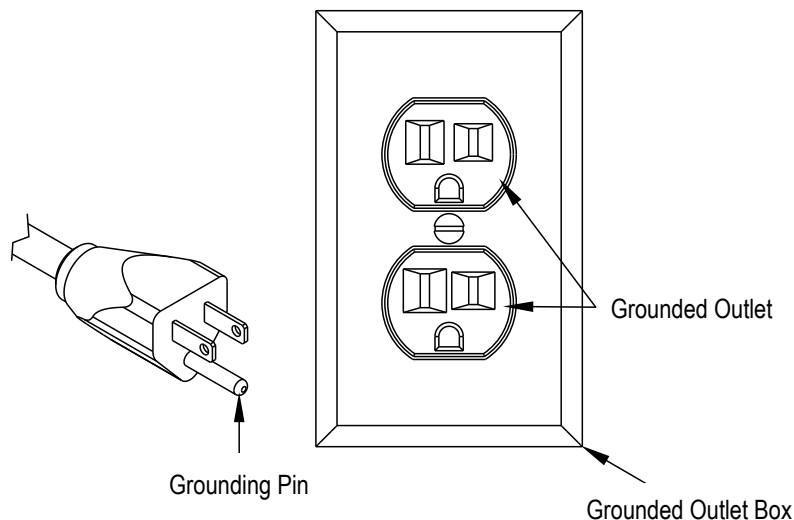




Figure 7

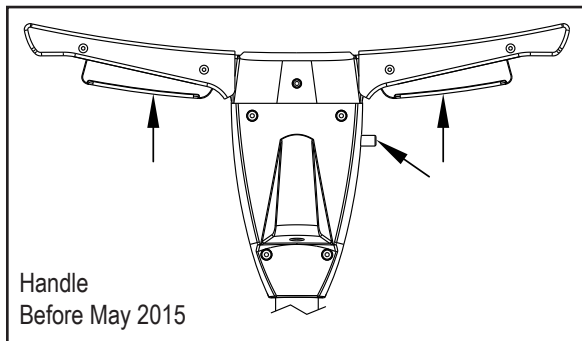


Figure 8-1

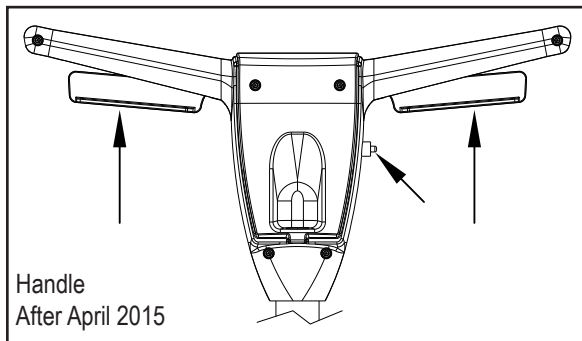


Figure 8-2

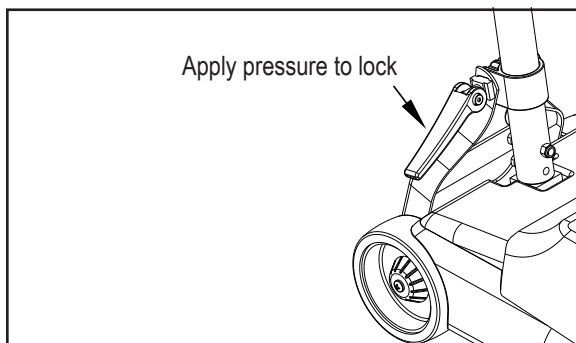


Figure 9

HOW TO OPERATE THE MACHINE

⚠ WARNING: Machines can cause flammable materials and vapors to burn. Do not use this machine with or near matches, fuels, grain dust, solvents, thinners, or other flammable materials.

⚠ CAUTION: This machine will operate only on the AC frequency and electrical voltage shown on the nameplate. Make sure you have the correct frequency and voltage before connecting the power cord to an outlet.

NOTE: You must have training in the operation of this machine before you use this machine.

POSITION OF THE HANDLE FOR OPERATION

Lift the locking lever to unlock the handle. Lower the handle to the best position. Bend your arms and keep your back straight. To fasten the handle, press down on the locking lever with your foot. Hold the handle against your body for the best control. See Figure 7.

HOW TO CONTROL THE MACHINE

NOTE: Make sure you hold the handle with both hands.

The side to side movement of the machine is controlled by raising the handle and pressing down on the handle. To move the machine to the left, press down on the handle slightly. To move the machine to the right, raise the handle slightly.

HOW TO START/STOP THE MACHINE

⚠ WARNING: Never start a polisher when the handle is in the vertical position.

The switch to start and stop the machine is activated by the interlock switch and the levers under the handle grips. See Figures 8-1 & 8-2. To start the machine, follow this procedure:

1. Lower the handle.
2. Lock the handle in the best position for operation. See Figure 9.

⚠ WARNING: Control the safety interlock switch with hands only.

NOTE: Make sure you hold the handle with both hands.

3. Push the interlock switch, and apply pressure to the levers.

NOTE: Hold the handles loosely for the best control of the machine. Too much movement makes the machine difficult to control.


⚠ WARNING: Water solutions or cleaning materials used with this type of machine can leave wet areas on the floor surface. These areas can cause a dangerous condition for the operator or other persons.

Always put CAUTION signs near the area being cleaned.

ACCESSORIES


These different brushes and attachments are available for the Model FM Floor Maintainer:

1. Brushes with natural or synthetic bristles for polishing.
2. Brushes with natural or synthetic bristles for scrubbing.
3. Brushes with steel wire bristles.
4. Synthetic pad holders.
5. Synthetic pads for polishing, scrubbing, stripping, etc.
6. Lambs wool polishing pads.
7. Brushes with metal or wood backs, and with holes to let the solution go through.
8. Solution tank.
9. Attachments for spray buffing.
10. Sanding, grinding, and carpet scrubbing accessories.

 **DANGER:** Fine dust from a floor sanding operation can cause an explosion. Use a floor sanding machine only in an area with good ventilation.

For more information, see your dealer or the nearest Amano Pioneer Eclipse branch.

MAINTENANCE OF THE MACHINE

 **WARNING:** Maintenance must be done by authorized personnel only.

Clean your machine frequently. It will have longer life and need fewer repairs.

Lubrication

The Polisher is completely lubricated. The bearings and gears in the gear unit have enough lubricant for two or three years of normal operation. All other bearings are sealed and have enough lubricant for the life of the machine.

Motor And Gears

Remove or blow dust and dirt from the motor frequently.

Repairs

If repairs to the gear unit or motor are needed, do not disassemble the gears and motor! Return the machine to the nearest Amano Pioneer Eclipse Service Branch or Amano Pioneer Eclipse Authorized Service Center.

Maintenance Inspection


Return the machine to a Amano Pioneer Eclipse Authorized Service location every 12 months for maintenance inspections.


Lever To Lock The Handle

The locking mechanism for the handle can become loose. Tighten the nut on the end of the cross link bolt. The pressure of the locking lever is correct when the handle can be adjusted easily and fastened as needed.


Maintenance Of Brushes

Always remove the brush from the machine when not in use. Keep brushes in a cool, dry location. Heat can damage the wood and the bristles. Scrub brushes with bassine fibers must be put in water for 16 hours to replace moisture and give the bristles a longer life.


 **WARNING:** Maintenance must be done by authorized personnel only.

 **WARNING:** Disconnect the electrical plug from the electrical outlet before doing any repairs or maintenance to the machine.

Clean your machine frequently. It will have longer life and need fewer repairs. Replace damaged or worn parts with the correct Amano Pioneer Eclipse parts.

 **CAUTION:** Keep all fasteners tight. Keep all adjustments according to specifications.

Switches

 **WARNING:** All electrical repairs must be done by authorized personnel only. The machine must be tested after electrical repairs are made to make sure it is safe to operate. Disconnect the electrical plug from the outlet before doing any electrical repairs to this machine.

The start and stop switches are in the handle. If any part of the switch is not operating, replace the part. If any part of the electrical system of the machine is not operating or is damaged, replace the part. Make sure all connections are tight. Return the machine to a Amano Pioneer Eclipse Service Branch or a Amano Pioneer Eclipse Authorized Service Center for electrical repairs and testing.

**FM-1700HD
LIBRO DE INSTRUCCIONES
LEA ESTE LIBRO**


Contiene información importante para el uso y funcionamiento correcto y seguro de la máquina. Lea este libro completamente antes de arrancar la máquina o hacer cualquier operación de mantenimiento. Si no sigue las instrucciones, corre el peligro de herirse o causar lesiones al personal, y causar daños importantes a la máquina o a su entorno. Antes de usar la máquina, es indispensable seguir una formación. Si Usted (o el operador) no habla francés, solicite (o proporcionele) todas las informaciones necesarias. El libro está traducido en otros idiomas.

Todas las indicaciones de dirección dadas en este libro están dadas desde la posición del operador en la parte de atrás de la máquina.

Puede Ud. conseguir libros suplementarios dirigiéndose a su distribuidor Amano Pioneer Eclipse.

Índice

Instrucciones para la seguridad del operador	11-12
Mandos.....	13
Preparación de la máquina para trabajar	13
Maquinas 120 V. instrucciones para la conexión eléctrica	14
Funcionamiento de la máquina	15
Accesorios	16
Mantenimiento	16
engrase	16
motor y engranajes.....	16
reparaciones.....	16
inspección periódica.....	16
palanca de bloqueo del mango de mando	16
mantenimiento de los cepillos	16

 **ADVERTENCIA:** Los Productos a la venta en este Manual contienen, o pueden contener, productos químicos reconocidos por algunos gobiernos (como el Estado de California, según lo indica en su Proposición 65, Ley de Advertencia Regulatoria) como causantes de cáncer, defectos de nacimiento u otros daños reproductivos. En algunas jurisdicciones (incluido el Estado de California), los compradores de estos Productos que los coloquen en servicio en un emplazamiento laboral o en un espacio de acceso público tienen la obligación regulatoria de realizar determinados avisos, advertencias o divulgaciones respecto de los productos químicos contenidos o posiblemente contenidos en los Productos utilizados en tal lugar. Es la responsabilidad del comprador conocer y cumplir con todas las leyes y reglamentaciones relacionadas con el uso de estos Productos en tales entornos. El Fabricante niega toda responsabilidad de informar a los compradores sobre requisitos específicos que pueden regir el uso de los Productos en tales entornos.

MODIFICACIONES

Las modificaciones y los agregados a la máquina de limpieza que afecten su capacidad y su funcionamiento seguro no serán realizados por el cliente o el usuario sin la autorización previa y por escrito de Amano Pioneer Eclipse. Las modificaciones que no cuenten con la aprobación correspondiente anularán la garantía de la máquina y harán que el cliente sea responsable de cualquier accidente resultante.

INSTRUCCIONES PARA LA SEGURIDAD DEL OPERADOR

¡ PELIGRO !

Si no sigue la indicación **PELIGRO**, se pueden causar lesiones graves, incluso mortales. Lea y siga todas las indicaciones **PELIGRO** que se encuentran en el libro y en la máquina.

¡ ADVERTENCIA !

Si no sigue la indicación **AVERTENCIA**, se pueden causar lesiones sea al operador sea a otro personal y/o daños materiales. Lea y siga todas las indicaciones **AVERTENCIA** que se encuentran en el libro y en la máquina.

¡ PRECAUCIÓN !

Si no sigue la indicación **PRECAUCIÓN**, se puede estropear la máquina o causar daños materiales. Lea y siga las indicaciones **PRECAUCIÓN** que se encuentran en el libro y en la máquina.

¡ PELIGRO !

- Siempre lea este libro de instrucciones antes de arrancar la máquina o hacer un mantenimiento. A falta de esta precaución, corre el peligro de herirse o causar lesiones a colegas ; podría Ud. también causar daños a la máquina o a su lugar de trabajo. Se debe aprender el manejo de esta máquina antes de usarla. Si Usted (o su plantilla) no conoce el español, se ruega dejarse explicar completamente el libro antes de usar la máquina.
- Para evitar un peligro de incendio, use sólo productos de limpieza y cera para el suelo especialmente concebidos para máquinas.
- Peligro de explosión : mientras apomaza un parqué, una mezcla explosiva de partículas de polvo y aire puede formarse. Para reducir el peligro de explosión, use la máquina sólo en locales perfectamente ventilados.
- Si usa una máquina antes de que esté completamente montada, corre el peligro de herirse o causar daños materiales. No opere la máquina antes de que esté completamente montada. Compruebe cuidadosamente el estado de la máquina antes de cada utilización.
- Si efectúa un mantenimiento o una reparación sin desconectar la máquina, hay un riesgo de electrocución. Desconecte el enchufe de la caja de enchufe conectada con la red antes de empezar el mantenimiento o la reparación. Siempre desconecte el enchufe de la caja de enchufe conectada con la red antes de cambiar el cepillo, el disco o cualquier otro accesorio y si deja la máquina sin vigilarla.
- Si opera la máquina con un cable de alimentación estropeado, se puede causar una electrocución. No use nunca la máquina si el cable de alimentación está estropeado. No tire de la máquina usando el cable eléctrico.

⚠ ¡ ADVERTENCIA !

- Una reparación o un mantenimiento efectuado por personas no cualificadas puede causar lesiones y/o daños materiales. Todas las operaciones de mantenimiento o de reparación de la máquina deben ser efectuadas por técnicos cualificados. Compruebe que las fijaciones están correctamente apretadas. Haga reglajes conforme a las indicaciones dadas en el libro.
- Hay un riesgo de cortocircuito si los componentes eléctricos de una máquina están expuestos a la humedad o son mojados. Procure que los componentes eléctricos sean siempre secos. Seque cuidadosamente la máquina después de cada utilización. Guarde la máquina en un local seco.
- Use siempre un cable con tres conductores puestos a tierra. Para una protección óptima, conecte la máquina con una caja de enchufe conectada con la red que tiene un diferencial. Si tiene alguna duda, sírvase acudir a un eléctrico cualificado.
- Para evitar daños al cable de alimentación, procure que el cepillo, el disco, el portadisco o las ruedas no toquen el cable, cuando la máquina funciona. Levante siempre el cable por encima de la máquina. No tire de la máquina para acercarla a la máquina.
- Si usa la máquina sin respetar todas las instrucciones escritas en los adhesivos y los señales, corre el peligro de causar lesiones y daños materiales. Lea todas las indicaciones escritas en la máquina antes de la primera utilización. Compruebe que todos los adhesivos y las instrucciones estén colocados en los sitios previstos. Si es preciso, haga un nuevo pedido a su distribuidor Amano Pioneer Eclipse.
- No use la máquina como escalero o mueble. Corre el peligro de causar lesiones o daños materiales. No use la máquina como medio de transporte.
- Para evitar herirse, sírvase mantener una distancia de seguridad suficiente entre las partes móviles de la máquina y sus manos o sus pies. No lleve ropas holgadas.
- Una modificación brusca de la textura del suelo puede causar un sobresalto de la máquina de la cual el operador pierde momentáneamente el dominio. Eso puede causar lesiones al operador o a otras personas encontrándose cerca. Procure que la máquina no pase de una superficie lisa a una alfombra o una superficie más rugosa. Procure que la máquina no esté en contacto con cajas de enchufe colocadas en el suelo, topes de puerta o casquillos, etc.
- Las soluciones acuosas o los productos de limpieza usados con esta máquina pueden dejar zonas húmedas en el suelo, que pueden ser causa de peligro para el operador u otras personas. Ponga siempre señales de PRECAUCION cerca de la superficie que está limpiando.

⚠ ¡ PRECAUCIÓN !

- Esta máquina pesa. Transpórtela o desplácela con ayuda de otra persona.

NOTA : Esta máquina es de uso comercial.

MANDOS

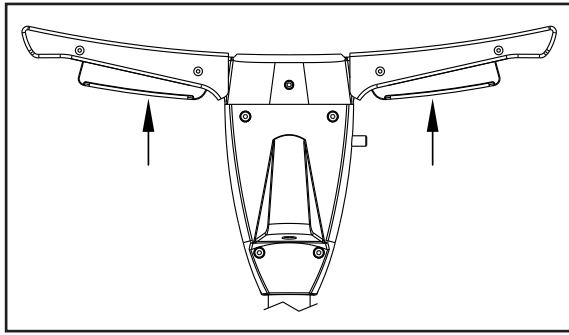


Figura 1

PALANCAS ARRANQUE/PARADA (Véase fig.1)

Estas palancas se encuentran debajo de los mangos de la tobera.

BLOQUEO DEL INTERRUPTOR DE SEGURIDAD (Véase fig. 2)

Se encuentra en el conjunto del mango debajo de la palanca arranque/parada de derecha.

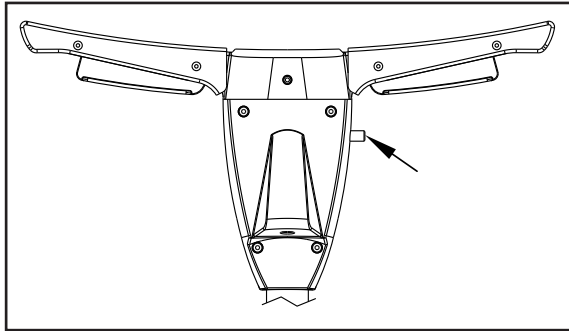


Figura 2

PALANCA DE BLOQUEO (Véase fig. 3)

Se encuentra debajo del conjunto de la tobera.

PREPARACION DE LA MAQUINA PARA TRABAJAR

⚠ AVERTENCIA : Desconecte siempre el enchufe de la caja de enchufe conectada con la red antes de instalar o quitar el disco o el cepillo.

Para instalar un cepillo o un portadisco, siga este procedimiento:

1. Coloque la tobera en posición vertical.
2. Para bloquear la tobera, empuje la palanca de bloqueo (hacia abajo).
3. Coloque la tobera en el suelo.
4. "Cabalgando" sobre la máquina (Véase fig. 4)
5. inserte el arrastre central del cepillo sobre el acoplamiento de la máquina.
6. Fije el cepillo (o el accesorio escogido) girándolo en el sentido de las agujas del reloj.
7. Para quitar el cepillo (o el accesorio escogido) desbloquéelo girándolo en el sentido contrario de las agujas del reloj, pues sáquelo.
8. Coloque de nuevo la máquina en posición vertical.

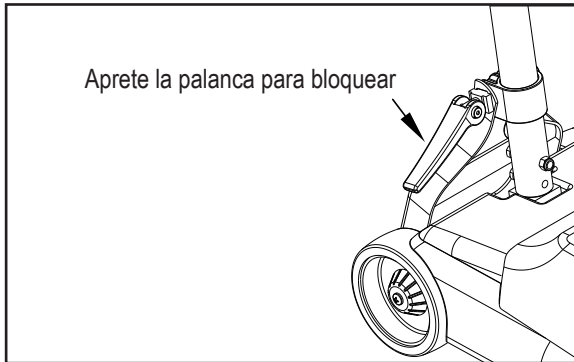


Figura 3

NOTA : Para evitar causar daños al cepillo o al portadisco, quite el accesorio antes de guardar la máquina.



Figura 4

Para conectar un depósito de solución siga las instrucciones entregadas con el depósito.

La máquina debe ser puesta a tierra. En caso de mal funcionamiento o de avería, el hilo de tierra es un camino de menor resistencia que permite el paso de corriente ; por lo cual se reduce el riesgo de choque eléctrico. La máquina tiene un cable de alimentación con tres conductores y un enchufe con tres clavijas de las cuales una está puesta a tierra. El enchufe sólo puede ser conectado con una caja de enchufe reglamentaria, puesta a tierra con todas las reglas del arte y conforme a los reglamentos locales.

⚠ AVERTENCIA: Si la puesta a tierra no es correcta, hay un peligro de electrocución. Si tiene alguna duda, acuda a un electricista cualificado o a una persona del servicio de mantenimiento para comprobar su instalación. Nunca modifique el enchufe suministrado con el producto. Si no encaja el enchufe en la caja de enchufe conectada con la red, haga instalar una caja de enchufe adecuada por un electricista autorizado.

Esta máquina debe funcionar en un circuito de potencia nominal de 120 V. Tiene un enchufe con puesta a tierra semejante al enchufe reproducido en la figura 5a. Compruebe que la máquina esté conectada con una caja de enchufe que tiene la configuración correspondiente al enchufe. No utilice ningún adaptador.

⚠ AVERTENCIA: Para evitar el peligro de choque eléctrico, proteja la máquina de la lluvia. Guárdela en un local seco.

⚠ AVERTENCIA: Para evitar el peligro de electrocución, conecte la máquina con un red que tiene un diferencial. Si tiene alguna duda, diríjase a un electricista autorizado.

⚠ AVERTENCIA: Nunca rompa, quite o corte la clavija de puesta a tierra. Si la caja de enchufe no corresponde al enchufe, acuda a un electricista autorizado.

⚠ AVERTENCIA: Si el cable de alimentación está desgastado, dañado o cortado, hágalo cambiar inmediatamente por un técnico autorizado.

AÑADIDOS

Use sólo un añadido con tres conductores, un enchufe con tres clavijas y un conector con tres aberturas. La máquina tiene un cable de alimentación de 4 mm² de sección.

⚠ ¡ AVERTENCIA ! Use un añadido de cable de 6 mm² de sección. No use ningún añadido de más de 15 metros de largo. Nunca conecte dos añadidos.

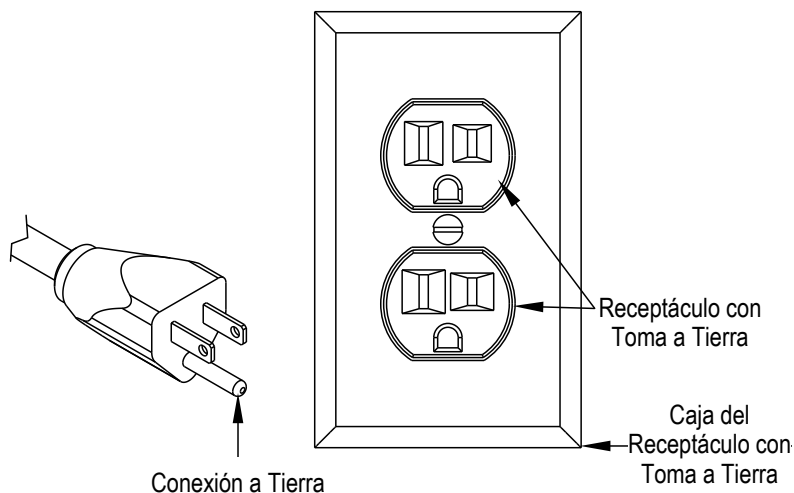




Figura 7

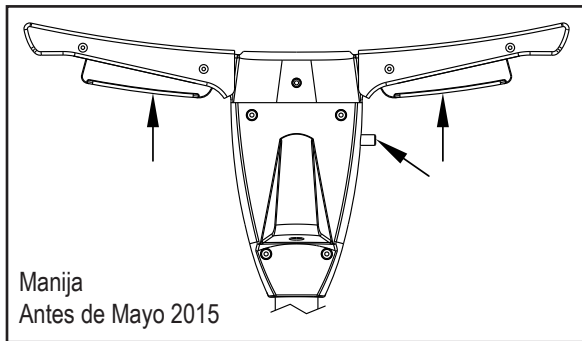


Figura 8-1

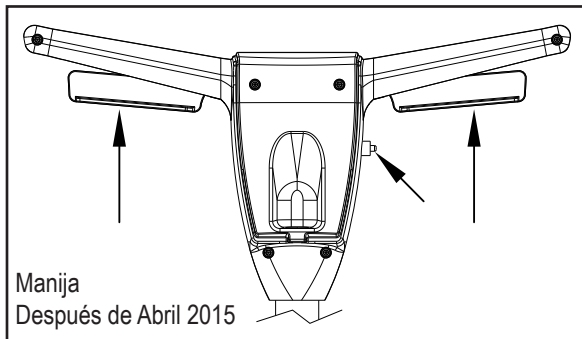


Figura 8-2

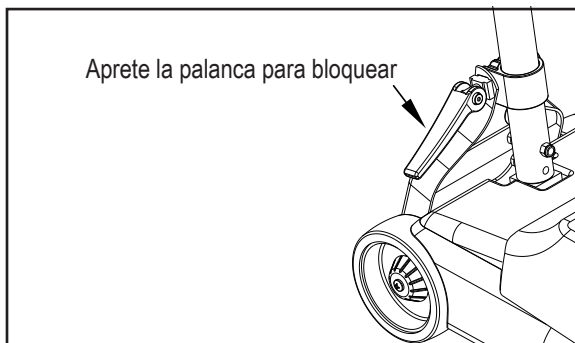


Figura 9

⚠ AVERTENCIA: Peligro de incendio con ciertas materias o vapores. Nunca use este tipo de máquina si se encuentra polvo de granos, disolventes, diluyentes u otros materiales inflamables. Procure que no haya ninguna llama sin protección en el local donde trabaja. **NO FUME.**

⚠ PRECAUCIÓN: Esta máquina funciona sólo con un circuito de corriente alterna, con la frecuencia y la tensión mencionadas en la placa de identificación. Compruebe que la tensión y la frecuencia son correctas antes de conectar el enchufe con la red.

NOTA: Nunca use la máquina antes de informarse acerca de su funcionamiento.

COLOCACION DE LA TOBERA CUANDO TRABAJA

Empuje la palanca para desbloquear la tobera. Baje la tobera en la posición de trabajo la más confortable para el operador. Doble los brazos y procure que la espalda esté recta. Para bloquear la tobera, baje la palanca con el pie. Para mejor controlar la máquina, tenga el mango cerca del cuerpo. (Véase fig. 7).

¿ Cómo controlar la máquina ?

NOTA : Siempre tenga el mango con ambas manos.

Para ir de un lado al otro, levante o baje lentamente la tobera de la máquina. Para dirigir la máquina hacia la izquierda, presione la tobera. Para dirigir la máquina hacia la derecha, levante despacio la tobera.

Arranque y parada de la máquina

⚠ AVERTENCIA : Nunca arranque una pulidora cuando la tobera esta en posición vertical.

El interruptor de arranque/parada se opera empujando el botón de cierre de seguridad y usando las palancas situadas debajo del mango de mando. (Véase fig. 8-1 & 8-2) Para arrancar la máquina, siga este procedimiento :

1. Baje la tobera.
2. Bloquee la tobera en la posición de trabajo la más confortable para trabajar. (Véase fig. 9).

⚠ AVERTENCIA: Solo empuje el boton de bloqueo con las manos.

NOTA: Siempre tenga el mango con ambas manos.

3. Empuje el botón de bloqueo y presione las palancas con las manos.

NOTA: Para controlar mejor la maquina, tenga los mangos sin crisper los dedos. Con movimientos demasiado bruscos la maquina puede volverse dificil a controlar.

⚠ AVERTENCIA: Las soluciones acuosas o los productos de limpieza usados con este tipo de máquina pueden dejar zonas húmedas en el suelo, que pueden ser causa de peligro para el operador u otras personas.

Ponga siempre señales de **PRECAUCION** cerca de la superficie que está limpiando.

LISTA DE ACCESORIOS DISPONIBLES PARA EL MODELO FM

1. Cepillos para pulir (filamentos sintéticos o fibras naturales).
2. Cepillos para fregar (filamentos sintéticos o fibras naturales).
3. Cepillos con alambre de acero.
4. Portadiscos sintéticos.
5. Discos sintéticos para pulir, fregar, decapar, etc.
6. Discos de lana de cordero para pulir.
7. Cepillos metálicos con soporte de metal o de madera, perforados para dispersar la solución.
8. Depósito de solución.
9. Accesorios de pulverización para lustrar.
10. Accesorios para pulir, para amolar el suelo y para fregar el alfombra.

**¡ PELIGRO !**

El polvo fino producido cuando decapa o apomaza puede causar una explosión. Use una pulidora solo en locales perfectamente ventilados.

Para más información diríjase a su distribuidor Amano Pioneer Eclipse.

MANTENIMIENTO DE LA MAQUINA

AVERTENCIA : El mantenimiento debe ser efectuado por personal autorizado.

Limpie regularmente su máquina. La guardará más tiempo. Evitará así los gastos de reparación.

LUBRIFICACION

Las máquinas son completamente lubricadas. En condiciones de uso normal, la caja del reductor tiene demasiado lubricante para dos o tres años para los rodamientos y los piñones. Los demás rodamientos son estancos y lubricados de manera que no tiene nunca que lubricarlos.

MOTOR Y ENGRANAJES

Quite regularmente al motor el polvo y la suciedad con un trapo o con aire comprimido.

REPARACIONES

Si tiene que realizar reparaciones al motor o a la unidad de transmisión, no desmonte la máquina. Mándela al centro de

reparación autorizado de Amano Pioneer Eclipse más cercano.

COMPROBACION Y MANTENIMIENTO

Mande la máquina a un centro de mantenimiento autorizado Amano Pioneer Eclipse cada 12 meses para comprobarla.

PALANCA DE BLOQUEO

El sistema de bloqueo de la tobera puede aflojarse. Aprete de nuevo la tuerca de la palanca de bloqueo. La presión de la palanca de bloqueo es correcta cuando la tobera puede ser fácilmente colocada y cuando el mango puede ser bloqueado sin esfuerzo.

MANTENIMIENTO DE LOS CEPILLOS

Saque el cepillo antes de guardar la máquina. Guarde los cepillos en un sitio seco y fresco. El calor puede causar daños a los filamentos y la madera. Los cepillos de fregar de los cuales los filamentos son de "coco" deben quedarse en agua durante 16 horas para humedecerlos. Así alargará le longevidad de los filamentos.



AVERTENCIA: El mantenimiento debe ser efectuado por personal autorizado.



AVERTENCIA: Desconecte siempre el enchufe de la caja de enchufe de la red antes de efectuar cualquier operación de mantenimiento o reparación.

Limpie regularmente su máquina. La guardará más tiempo. Evitará así los gastos de reparación. Cambie las piezas desgastadas o dañadas sólo usando piezas originales adecuadas Amano Pioneer Eclipse.



PRECAUCIÓN: Aprete todas las sujeciones. Efectúe todos los reglajes según las indicaciones descritas en el libro de instrucciones.

INTERRUPTORES

AVERTENCIA: Todas las reparaciones eléctricas deben ser efectuadas sólo por técnicos autorizados. Después de cada reparación, hay que comprobar el aislamiento eléctrico. Desconecte siempre el enchufe del cable de alimentación antes de realizar cualquier reparación eléctrica en la máquina.

Los interruptores arranque/parada se encuentran en el mango. Si un componente del interruptor no funciona, cambie este componente. Si una pieza del sistema eléctrico de la máquina no funciona o está dañada, cambie la pieza. Mande la máquina a un centro de mantenimiento autorizado Amano Pioneer Eclipse o al centro técnico Amano Pioneer Eclipse más cercano para las reparaciones o comprobaciones del sistema eléctrico.

Il contient des informations importantes pour une utilisation correcte de la machine, en toute sécurité. Lisez-le complètement avant de mettre la machine en marche ou d'effectuer un entretien. A défaut, vous risqueriez de vous blesser ou de blesser d'autres membres du personnel, d'endommager sérieusement la machine ou de provoquer des dégâts dans son environnement. Avant de se servir de la machine, il est indispensable d'avoir reçu une formation. Si vous-même (ou l'opérateur) ne parlez pas français, veuillez demander (ou lui fournir) toutes les explications nécessaires. Des versions du manuel existent en d'autres langues. Toutes les indications de direction figurant dans ce manuel sont visualisées depuis la position de l'opérateur, à l'arrière de la machine. Pour toute commande de manuels, adressez-vous à votre revendeur Amano Pioneer Eclipse.

Instructions pour la sécurité de l'opérateur.....	19-20
Commandes	21
Préparation de la machine avant la mise en service	21
Machines 120 V. instructions pour le raccordement électrique	22
Mise en service de la machine	23
Accessoires	24
Entretien:	24
graissage	24
moteur et engrenages.....	24
réparations	24
inspection périodique.....	24
levier de verrouillage de la poignée de commande	24
entretien des brosses.....	24

⚠ AVERTISSEMENT ! Les Produits vendus avec le présent manuel contiennent ou peuvent contenir des produits chimiques reconnus par certains gouvernements (comme l'État de Californie, par le biais de la proposition de loi d'avertissement réglementaire 65) comme provoquant des cancers, des anomalies congénitales et autres dangers pour la reproduction. Dans certains endroits (comme l'État de Californie), les acheteurs de ces Produits, qui les utilisent sur un lieu de travail ou dans un espace public, ont l'obligation d'apposer certains avis, avertissements ou informations concernant les produits chimiques qui sont ou peuvent être contenus dans les Produits dans ces lieux ou aux alentours de ces lieux de travail. Il incombe à l'acheteur de connaître les dispositions de, et de respecter, toutes les lois et réglementations ayant trait à l'utilisation de ces Produits au sein de tels environnements. Le Fabricant rejette toute responsabilité d'informer les acheteurs concernant des exigences spécifiques qui peuvent s'appliquer à l'utilisation des Produits dans de tels environnements.

ALTÉRATIONS

Les altérations et ajouts d'éléments à la machine de lavage, qui affectent ses capacités et son fonctionnement sécurisé, ne doivent pas être réalisés sans le consentement préalable et écrit de Amano Pioneer Eclipse. Toute altération non approuvée annulera la garantie de la machine. En outre, le client sera entièrement responsable des accidents associés.

INSTRUCTIONS POUR LA SECURITE DE L'OPERATEUR

⚠ DANGER !

Le non-respect des consignes précédées du mot DANGER peut occasionner des blessures graves, voire entraîner la mort. Lisez et respectez toutes les consignes DANGER figurant dans ce manuel et sur la machine.

⚠ AVERTISSEMENT

Le non-respect des consignes AVERTISSEMENT peut entraîner des blessures pour l'opérateur ou d'autres membres du personnel et/ou occasionner des dégâts matériels. Lisez et respectez toutes les consignes AVERTISSEMENT figurant dans ce manuel et sur la machine.

⚠ ATTENTION

Le non-respect des consignes signalées par le mot ATTENTION peut entraîner des dégâts à la machine ou dans son environnement. Lisez et observez toutes les consignes ATTENTION figurant dans ce manuel et sur la machine.

⚠ DANGER !

- Lisez toujours ce manuel d'instructions avant de mettre la machine en service ou de procéder à un entretien. A défaut, vous risqueriez de vous blesser ou de blesser des collègues de travail; vous pourriez également provoquer des dégâts à la machine ou sur votre lieu de travail. Vous devez avoir reçu une formation avant d'utiliser la machine. Si vous (ou les membres de votre personnel) ne connaissez pas le français, veuillez vous faire expliquer le manuel complètement avant de commencer à utiliser la machine.
- Pour éviter tout risque d'incendie, n'utiliser que des produits de nettoyage et des cires pour sol spécialement conçus pour un usage en machine
- Risque d'explosion : lors du ponçage d'un parquet, un mélange explosif de particules de fine poussière et d'air peut se former. Pour réduire le risque d'explosion, n'utiliser la machine que dans des locaux parfaitement ventilés.
- Si vous utilisez une machine avant qu'elle ne soit complètement montée, vous risquez de vous blesser ou de provoquer des dégâts matériels. Ne mettez pas la machine en service avant qu'elle ne soit complètement montée. Vérifiez soigneusement l'état de la machine avant chaque utilisation.
- Si vous procédez à un entretien ou à une réparation sans avoir débranché la machine, il y a risque d'électrocution. Débranchez la fiche de la prise réseau avant de commencer tout entretien ou toute réparation. Débranchez toujours la fiche de la prise réseau avant de changer la brosse, le disque ou tout autre accessoire et si vous laissez la machine sans surveillance.
- L'utilisation d'une machine lorsque le câble d'alimentation est endommagé peut provoquer une électrocution. Ne jamais utiliser la machine si le câble d'alimentation est endommagé. Ne pas utiliser le câble électrique pour tirer la machine.

⚠ AVERTISSEMENT

- Un entretien ou des réparations effectués par des personnes non qualifiées risque de provoquer des blessures et/ou des dégâts matériels. Tous les travaux effectués par des techniciens qualifiés. Bien veiller à ce que les fixations soient correctement serrées. Effectuer les réglages conformément aux indications figurant dans le manuel.
- Risque de court-circuit si les composants électriques d'une machine ont été exposés à l'humidité ou sont mouillés. Veillez à ce que les composants électriques soient toujours secs. Essayez soigneusement la machine après chaque utilisation. Entreposez la machine dans un local sec.
- Utilisez toujours un câble à trois conducteurs, relié à la terre. Pour une protection optimale, branchez la machine sur une prise réseau équipé d'un différentiel. En cas de doute, veuillez faire appel à un électricien qualifié.
- Pour éviter d'endommager le câble d'alimentation, veillez à ce que la brosse, le disque, le porte-disque ou les roues ne touchent pas le câble, lorsque la machine fonctionne. Soulevez toujours le câble au-dessus de la machine. Ne tirez pas le câble pour faire avancer la machine.
- Si vous utilisez une machine sans respecter toutes les consignes figurant sur les auto-collants et les panneaux d'instructions, vous risquez de provoquer des blessures et des dégâts matériels. Lisez toutes les indications figurant sur la machine avant la première utilisation. Vérifiez que tous les auto-collants et les instructions sont positionnés aux endroits requis. Au besoin, recommandez-en chez votre revendeur Amano Pioneer Eclipse.
- Ne pas utiliser cette machine comme escabeau ou comme meuble. Risque de blessure ou de dégât matériel. Ne pas utiliser la machine comme moyen de transport.
- Pour éviter d'être blessé, veillez à maintenir une distance de sécurité suffisante entre les parties mobiles de la machine et vos mains ou vos pieds. Ne portez pas de vêtements amples.
- Une modification abrupte de la texture du sol peut provoquer un sursaut de la machine qui échapperait ainsi momentanément au contrôle de l'opérateur, risquant de le blesser ou de blesser des personnes se trouvant à proximité immédiate. Soyez attentif à ne pas faire passer la machine d'une surface lisse sur un tapis ou sur une surface plus rugueuse. Veillez à ce que la machine n'entre pas en contact avec des prises électriques placées dans le sol, des arrêts de porte ou des entretoises, etc.
- Les solutions aqueuses ou les produits de nettoyage utilisés avec ce type de machine peuvent laisser des zones humides sur le sol, qui représentent un danger potentiel pour l'opérateur ou pour d'autres personnes. Placez toujours des panneaux d'avertissement "ATTENTION" près de la surface que vous nettoyez.

⚠ ATTENTION

- Cette machine est lourde. Faites-vous aider pour la transporter ou pour la déplacer.

NOTE: Cette machine est destinée à un usage commercial.

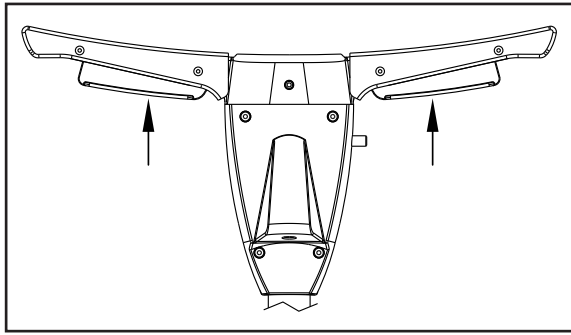


Figure 1

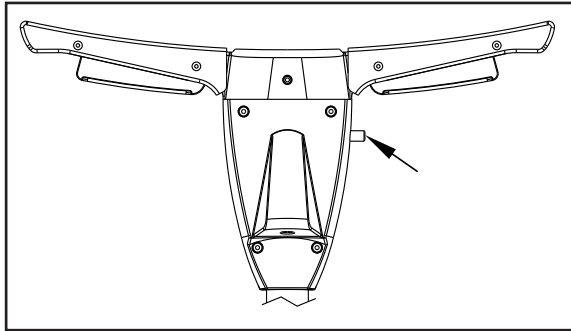


Figure 2

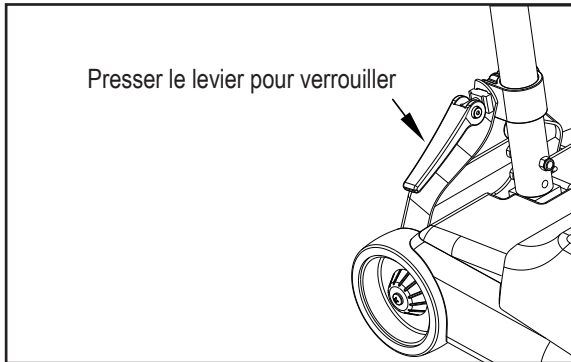


Figure 3



Figure 4

LEVIERS MARCHE/ARRET (Voir fig. 1)

Ces leviers se trouvent en-dessous des poignées du timon.

VERROUILLAGE DE L'INTERRUPTEUR DE SECURITE

(Voir fig. 2)

Il se trouve sur l'ensemble de la poignée, en dessous du levier marche/arrêt de droite.

LEVIER DE VERROUILLAGE (Voir fig. 3)

Il se trouve au bas de l'ensemble du timon.

**PREPARATION DE LA MACHINE
AVANT LA MISE EN SERVICE**

⚠ AVERTISSEMENT: Débranchez toujours la fiche de la prise réseau avant de placer ou d'enlever une brosse ou un accessoire.

Pour monter une brosse ou un porte-disque, procéder comme suit:

1. Placer le timon en position verticale.
2. Pour verrouiller le timon, presser le levier de verrouillage (vers le bas)
3. Placer le timon sur le sol.
4. En "chevauchant" la machine (Voir fig. 4)
5. insérer l'entraînement central de la brosse sur l'accouplement de la machine.
6. Fixer la brosse (ou l'accessoire choisi) en la faisant pivoter dans le sens horlogique.
7. Pour déposer la brosse (ou l'accessoire choisi), la débloquer en la faisant pivoter dans le sens anti-horlogique, puis la retirer.
8. Redresser la machine en position verticale.

NOTE: Pour éviter d'endommager la brosse ou le porte-disque, enlever l'accessoire avant d'entreposer la machine.

Pour connecter un réservoir de solution, suivre les instructions fournies avec le réservoir.

Cette machine doit être mise à la terre. En cas de dysfonctionnement ou de panne, le conducteur de terre constitue un chemin de moindre résistance qui permet le passage du courant, réduisant ainsi le risque de choc électrique. La machine est munie d'un câble d'alimentation à trois conducteurs et d'une fiche à trois broches, dont une sert à la mise à la terre. La fiche ne peut être branchée que dans une prise réglementaire, reliée à la terre selon les règles de l'art et qui satisfait à tous les règlements locaux.

- ⚠ AVERTISSEMENT:** Si la mise à la terre n'est pas correcte, risque d'électrocution. En cas de doute, faites vérifier votre installation par un électricien qualifié ou par un membre du personnel d'entretien. Ne jamais modifier la fiche fournie avec le produit - si elle ne rentre pas dans votre prise, faites installer une prise adéquate par un électricien qualifié.

Cette machine doit être utilisée sur un circuit d'une puissance nominale de 120 V. Elle est munie d'une fiche avec broche de mise à la terre semblable à celle illustrée à la figure 5b. Vérifiez que la prise à laquelle la machine doit être raccordée présente une configuration correspondant à la fiche. N'utilisez pas d'adaptateur.

- ⚠ AVERTISSEMENT:** Pour éviter tout risque de choc électrique, protégez la machine de la pluie. Entrez-la dans un local sec.
- ⚠ AVERTISSEMENT:** Pour éviter tout risque d'électrocution, connectez la machine sur un réseau muni d'un différentiel. En cas de doute, adressez-vous à un électricien agréé.
- ⚠ AVERTISSEMENT:** Ne jamais casser, enlever ou couper la broche de mise à la terre. Si la prise ne correspond pas à la fiche, faire appel à un électricien agréé.
- ⚠ AVERTISSEMENT:** Si le câble d'alimentation est usé, endommagé ou entaillé, faites-le remplacer immédiatement par un technicien agréé.

ALLONGES

N'utiliser qu'une allonge à trois conducteurs, munie d'une fiche à trois broches et d'un connecteur à trois orifices. La machine est équipée d'un câble d'alimentation de 4mm² de section.

- ⚠ AVERTISSEMENT:** Utilisez un câble de rallonge d'une section de 6 mm². N'utilisez pas de rallonge d'une longueur supérieure à 15 m. Ne raccordez jamais deux rallonges.

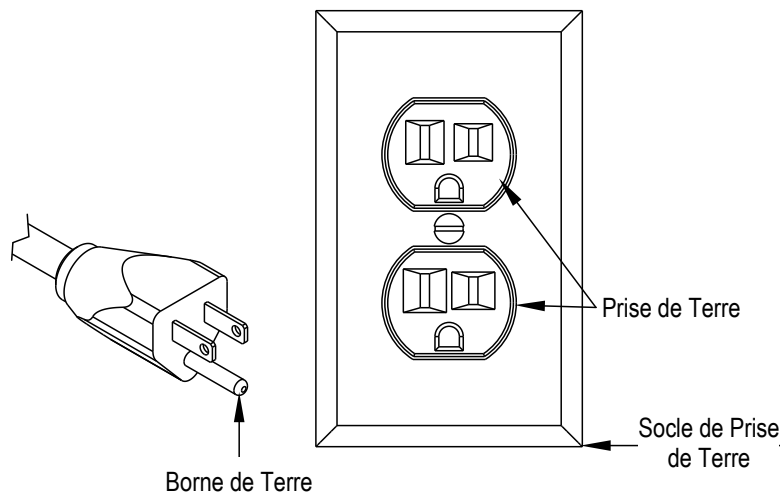




Figure 7

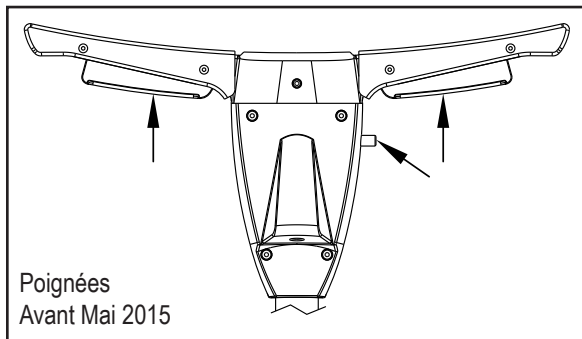


Figure 8-1

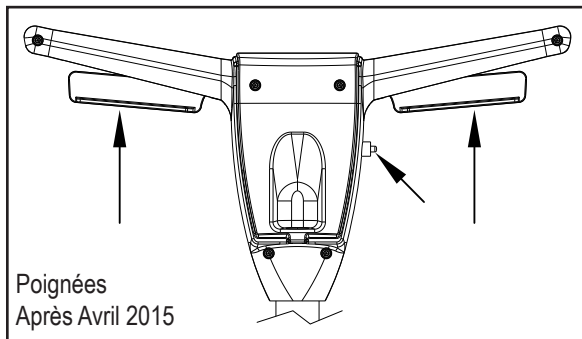


Figure 8-2

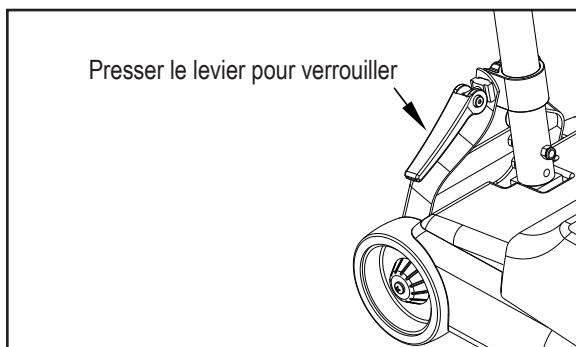


Figure 9

⚠ AVERTISSEMENT: Risque d'incendie de certaines matières ou vapeurs. Ne jamais utiliser ce type de machine en présence de grains de poussières, de solvants, de diluants ou d'autres matériaux inflammables. Veiller à ce qu'il n'y ait aucune flamme nue dans le local où vous travaillez. **NE PAS FUMER.**

⚠ ATTENTION: Cette machine ne peut fonctionner que sur un circuit en courant alternatif, à la fréquence et à la tension mentionnées sur la plaque d'identification. Vérifiez que vous disposez de la fréquence et de la tension correctes avant de brancher la machine sur une prise réseau.

NOTE Ne jamais utiliser la machine avant d'avoir été mis au courant de son mode de fonctionnement.

POSITION DU TIMON PENDANT L'UTILISATION

Presser le levier pour libérer le timon. Abaisser le timon dans la position de travail la plus confortable pour l'utilisateur. Fléchir les bras et maintenir le dos droit. Pour verrouiller le timon, abaisser le levier avec le pied. Pour mieux contrôler la machine, maintenir la poignée près du corps. (Voir fig. 7).

Comment contrôler la machine

NOTE: Toujours tenir la poignée des deux mains.

Pour aller d'un côté à l'autre, lever ou abaisser lentement le timon de la machine.

Pour faire aller la machine vers la gauche, appliquer une pression sur le timon.

Pour faire aller la machine vers la droite, relever légèrement le timon.

Mise en marche et arrêt de la machine

⚠ AVERTISSEMENT: Ne jamais mettre une polisseuse en marche lorsque le timon se trouve en position verticale.

L'interrupteur de marche/arrêt est activé par pression sur le bouton de verrouillage de sécurité et par les leviers situés sous la poignée de commande. (Voir fig. 8-1 & 8-2). Pour mettre la machine en marche, procéder comme suit:

- 1 Abaisser le timon
- 2 Verrouiller le timon dans la position la plus confortable pour le travail (Voir fig. 9)

⚠ AVERTISSEMENT: Ne presser le bouton de verrouillage qu'avec les mains.

NOTE: Toujours tenir la poignée des deux mains.

- 3 Pousser sur le bouton de verrouillage et appliquer une pression des mains sur les leviers.


NOTE: Pour un meilleur contrôle de la machine, tenir les poignées sans crisper les doigts. Des mouvements trop brusques rendent la machine difficile à contrôler.

⚠ AVERTISSEMENT: Les solutions aqueuses ou les produits de nettoyage utilisés avec ce type de machine peuvent laisser des zones humides sur le sol, qui représentent un danger potentiel pour l'opérateur ou pour d'autres personnes.

Placez toujours des panneaux d'avertissement "ATTENTION" près de la surface que vous nettoyez.


LISTE DES ACCESSOIRES DISPONIBLES POUR LE MODELE FM

1. Brosses pour le polissage (brins synthétiques ou en fibres naturelles).
2. Brosses pour le récurage (brins synthétiques ou en fibres naturelles).
3. Brosses avec brins en acier
4. Porte-disques synthétiques
5. Disques synthétiques pour le polissage, le récurage, le décapage, etc.
6. Disques de polissage en laine d'agneau
7. Brosses métalliques à support métallique ou en bois, perforé pour le passage de la solution.
8. Réservoir de solution
9. Accessoires de pulvérisation pour le lustrage
10. Accessoires pour poncer, pour meuler le sol et pour récurer les tapis.

 **! DANGER !** La fine poussière dégagée lors du décapage ou du ponçage peut provoquer une explosion. Une ponceuse ne peut être utilisée que dans de bonnes conditions d'aération.

Pour de plus amples informations, veuillez contacter votre revendeur Amano Pioneer Eclipse.

ENTRETIEN DE LA MACHINE

 **AVERTISSEMENT:** L'entretien ne peut être effectué que par un membre du personnel agréé.

Nettoyez régulièrement votre machine. Elle durera plus longtemps. Vous éviterez des frais de réparation.

LUBRIFICATION

Les machines sont entièrement lubrifiées. Dans des conditions d'utilisation normale, le boîtier du réducteur contient le lubrifiant nécessaire pendant deux à trois ans pour les roulements et les pignons. Les autres roulements sont étanches et lubrifiés à vie.

MOTEUR ET ENGRENAGES

Enlevez régulièrement la poussière et les saletés du moteur avec un chiffon ou de l'air comprimé.

REPARATIONS

Si des réparations doivent être effectuées au moteur ou à l'unité de transmission, ne pas démonter la machine. La renvoyer complète dans le centre de réparation agréé Amano Pioneer Eclipse le plus

proche.

VERIFICATION ET ENTRETIEN


Renvoyer la machine dans un centre d'entretien agréé Amano Pioneer Eclipse tous les 12 mois, afin de la faire vérifier.


LEVIER DE VERROUILLAGE

Le système de verrouillage du timon peut se relâcher. Resserrer l'écrou du levier de verrouillage. La pression du levier de verrouillage est correcte lorsque le timon peut être positionné facilement et lorsque la poignée peut être verrouillée sans effort.


ENTRETIEN DES BROSSES

Déposer la brosse avant d'entreposer la machine. Entreposer les brosses dans un endroit sec et frais. La chaleur peut endommager les brins et le bois. Les brosses de récurage dont les brins sont en "coco" doivent être plongées dans l'eau pendant 16 heures pour être réhumidifiées. Ainsi, la durée de vie utile des brosses sera prolongée.


 **AVERTISSEMENT:** L'entretien ne peut être effectué que par un membre du personnel agréé.

 **AVERTISSEMENT:** Débranchez toujours la fiche de la prise réseau avant de procéder à toute opération d'entretien ou à une réparation.

Nettoyez régulièrement votre machine. Elle durera plus longtemps. Vous éviterez des frais de réparation. Remplacez les pièces usagées ou endommagées par les pièces d'origine Amano Pioneer Eclipse appropriées.

 **ATTENTION:** Resserrez toutes les fixations. Effectuez tous les réglages selon les indications figurant dans le manuel d'utilisation.

INTERRUPTEURS

 **AVERTISSEMENT:** Toutes les réparations électriques ne peuvent être effectuées que par des techniciens agréés. Après toute réparation électrique, l'isolation électrique de la machine doit être vérifiée. Débrancher toujours la fiche du câble d'alimentation avant d'effectuer toute réparation électrique sur la machine.

Les interrupteurs de marche/arrêt se trouvent dans la poignée. Si une pièce de l'interrupteur ne fonctionne pas, remplacer cette pièce. Si une pièce du système électrique de la machine ne fonctionne pas ou est endommagée, remplacer cette pièce. Renvoyer la machine dans un centre d'entretien agréé Amano Pioneer Eclipse ou au centre technique Amano Pioneer Eclipse le plus proche pour faire effectuer les réparations et les vérifications du système électrique.

Pioneer) Eclipse®

FM-1700HD

Section II
Parts Manual

MACHINE VIEW

Item	Ref. No.	Qty	Description
1	507851	1	Shield Brush FM1700/1700HS
2	962337	4	Screw 1/4-20 X 1/2 Sc St Cap
3	56380639	1	Decal-Prop 65
4	56383554	1	Handle Assy-HDTR
5	01159A	1	Common FM Polishers
6	31234B	1	Bumper Brush FM Polishers
7	40721A	1	Cordpower Supply 14-3 X 18
8	40722A	1	Cordset 12-3x40' St 5-15pxl5-15r
9	70433A	1	Label Amano Pioneer Eclipse Name Plate FM
10	70436A	1	Label Switch Hsg FM-1700
11	70824A	1	Label HDTR 1.75 X 4
12	70825A	3	Label HDTR 2 X 5 For Bext

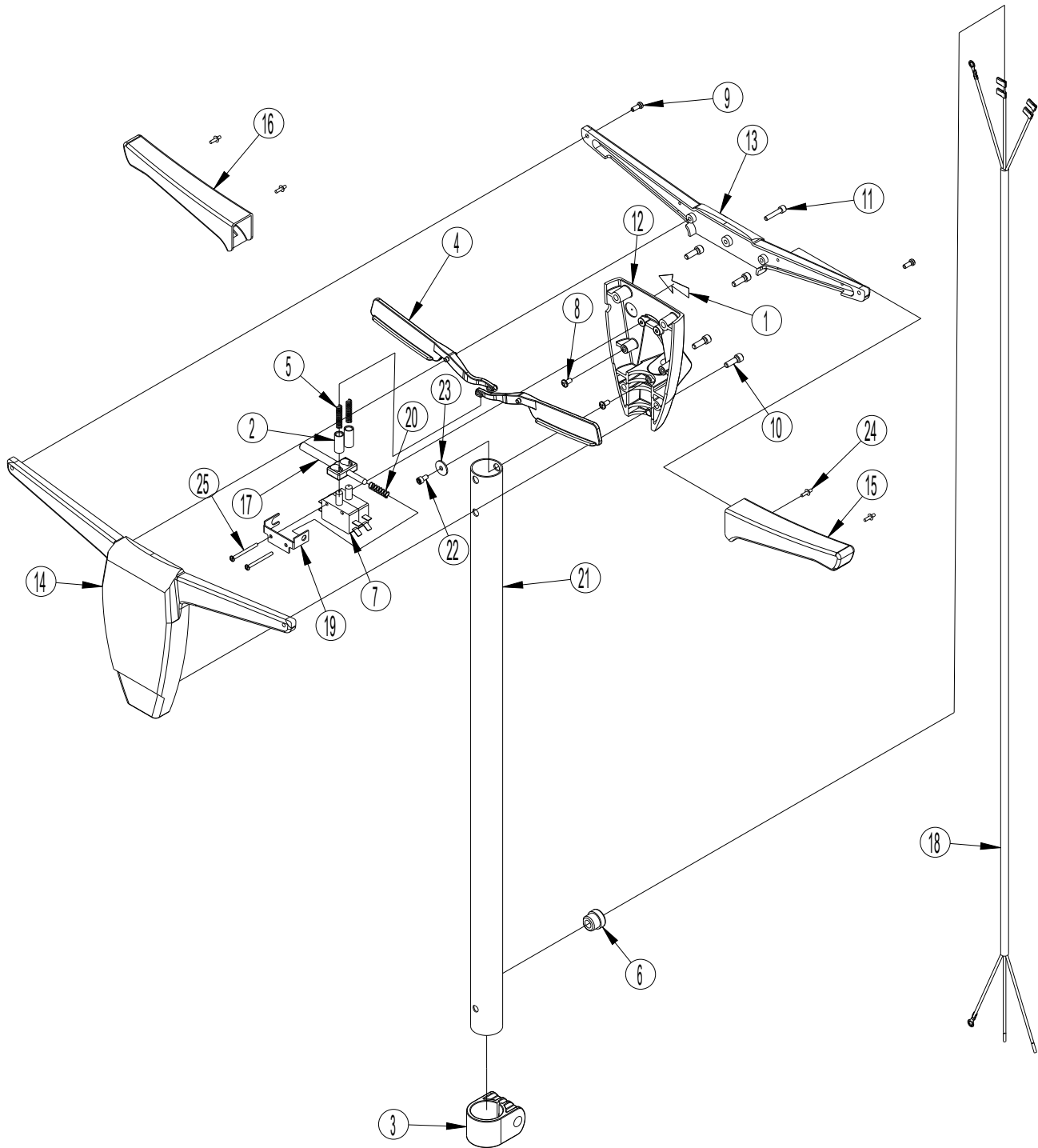
= Revised or new since last update

ACCESSORIES

Item	Ref. No.	Qty	Description
*	460908	1	Brush Asm Polish FM17-1700
*	51705A	1	Brush Polypro Scrub 17
*	460918	1	Brush Asm Stl Wire FM17-1700
*	51499A	1	Flagged Nylon Brush (metal back)
*	11405A	1	Dry Carpet Cleaning Scrub Brush
*	460215	1	Sanding Disc Assembly
*	500212	1	Grinding Disc Assembly w/6 stones
*	451212	1	Replacement Medium Grit Stones (6 required)
*	451305	1	Replacement Course Grit Stones (6 required)
*	53158A	1	Perma Grip Drive Pad Assembly
*	37008A	1	Super Grip Drive Pad Assembly
*	50026B	1	Tank Asm. 4 Gal Black
*	508641	1	Tank Asm Solution FMC-LINE
*	51444A	1	Abrasive Coated Scrub Brush
*	67307A	1	Capture Skirt
*	56383926	1	Tool-Mastic Removal-16
*	56383928	1	Mastic Removal Blade Kit
*	56383930	1	Tool-Conc Prep-25 Grit-16
*	56383932	1	16 Conc Prep 25 Grit Blade Kit

* = Optional, Not Included

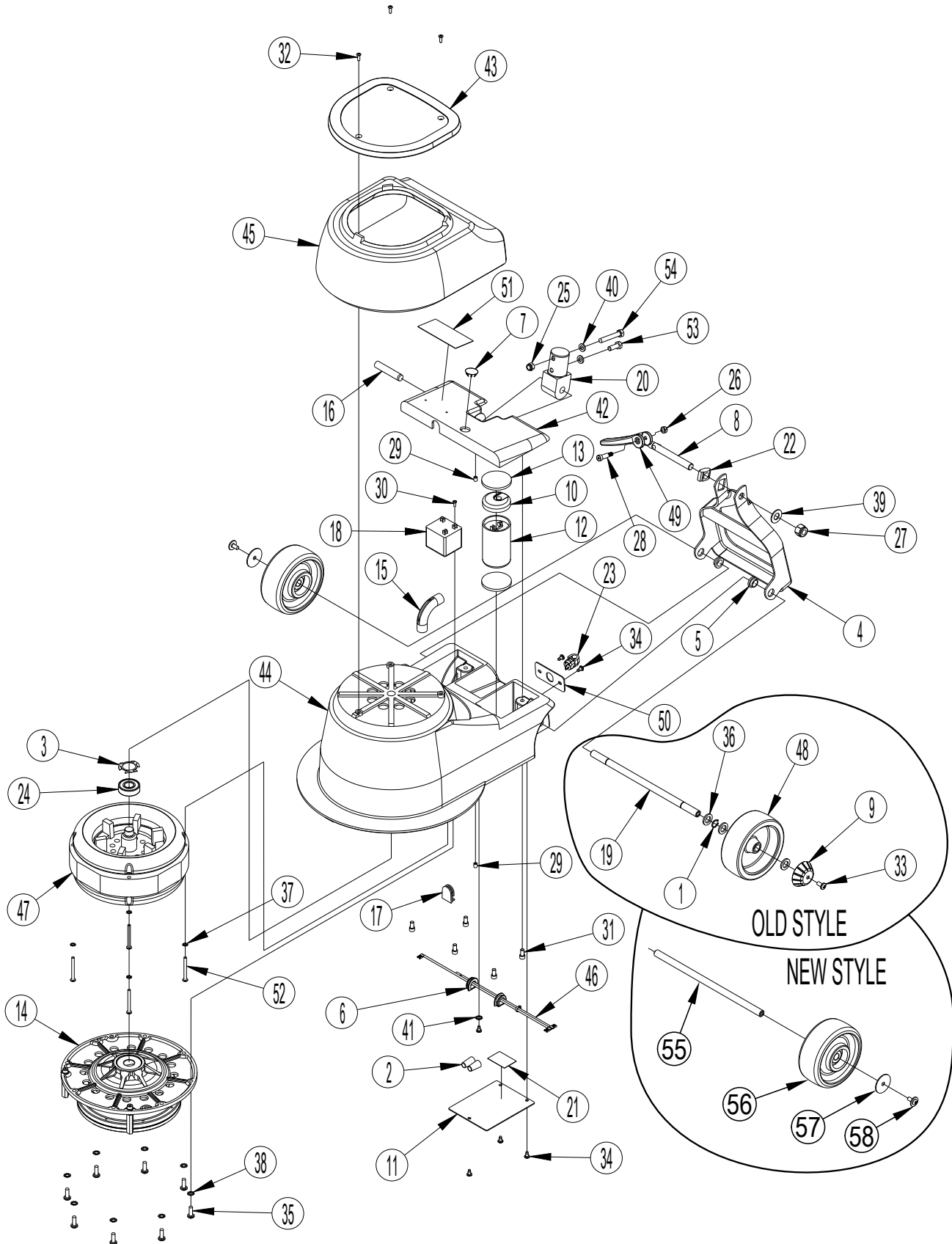
HANDLE ASSEMBLY



HANDLE ASSEMBLY

Item	Ref. No.	Qty	Description
1	445178	1	Label-Inter Lock
2	500241	2	Adapter Switch FM
3	502040	1	Clamp, Handle Tube
4	505140	2	Lever Switch FM
5	508340	2	Spring-Switch Lever FM
6	627561	1	Strain-Relief
7	911690	2	Switch FM1500-2300 Mp18 Cline
8	962015	2	Screw 10-24 X 3/8 Pn St Ph
9	962241	2	Screw, 10-24 X 1/2
10	962289	4	Screw, 1/4-20 X 3/4
11	962391	1	Screw 10-24x1 Sc St Cap
12	22109A	1	Cover, Switch Housing
13	24507A	1	Housing Handle/Switch FM 150
14	24508A	1	Housing-Switch Front
15	34612B	1	Griphandle Left GP-18
16	34613B	1	Grip Handle Right GP-18
17	38004A	1	Stop-Switch Interlock
18	41925A	1	Cord-Interconnecting handle
19	61120A	1	Bracket-Switch Stop
20	67900A	1	Spring-Switch Lever
21	68318A	1	Tube, Handle
22	80290A	1	Screw 10-32 X .38 HRCS
23	80291A	1	Washer, Flat #10 (.203x.734x.063)
24	83003A	4	Rivet 1/8 X 3/8
25	84807A	2	Screw 6-32 X 1 5/8 Pan Hd

BASE ASSEMBLY



BASE ASSEMBLY

Item	Ref. No.	Qty	Description	Item	Ref. No.	Qty	Description
1#	167308	2	Ringretaining-External .500 NOTE 1	33#	962823	2	Screw, 1/4-20 X 1/2 P.H. NOTE 1
2	170667	2	Wire Connector Twist On 74b	34	962826	6	Screw 10-24x 3/8 Pn St Tp F Ph
3	318303	1	Spring, Bearing Load	35	962892	8	Screw 1/4-20 Unc X 3/4 Pan Head
4	500342	1	Arm Adjusting Weldt	36#	980215	6	Washer, Thrust NOTE 1
5	501141	2	Bushing, Link Arm	37	980603	4	Washer, #10 Lock External Tooth
6	501142	2	Bushing FM	38	980614	8	Washer, 1/4" Starlock, External
7	501345	1	Plug Button 25/32 FM	39	980648	1	Washer 17/32 X 1 1/16 Plain
8	501346	1	Bolt-Locking Cam FM	40	980652	2	Washer, 5/16 Lock
9#	501540	2	Cap Hub FM NOTE 1	41	980675	1	Wash-.190idx.406od Ex Th
10	502304	1	FM17 Cover Capacitor	42	22105A	1	Covermain HousingFM
11	502342	1	Cover, Main Hsg. Bott.	43	22106A	1	Cover, Drip
12	502402	1	FM17 Capacitor 115v	44	24502C	1	Housing-Main FM1500-2000
13	502403	2	FM17 Cushion Capacitor	45	31237B	1	Bumper Main Hsg.
14	503542	1	Gear Unit Asm, FM	46	40254A	1	Harness Wire
15	504740	1	Insulator Elbow FM	47	40658A	1	Field And Rotor Kit
16	506740	1	Pin Handle Pivot FM	48#	59961A	2	Wheel Asmgray FM/GP-18 NOTE 2
17	506842	1	Plug FM	49	61912A	1	Handle Cam Lock
18	507572	1	Motor Relay-FM 1hp	50	66636A	1	Plate-Strain Relief
19#	507741	1	Shaft Wheel FM NOTE 1	51	77195A	1	Label-UI Fire & Sand.
20	509240	1	Tongue, Handle Tube	52	85310A	4	Screw10-24 X 2 Pan Hd
21	509806	1	Wiring Diagram FM-15-17	53	85812A	1	Screw5/16-18 X 7/8 Hex Hd Gr5
22	743850	1	Guide Handle Lock Cm-20	54	85817A	1	Screw 5/16-18 X 2.00 Hex Hd Gr5
23	857557	1	Strain Relief Ro42	*	501440	1	Cam Asm Locking FM (includes 8, 26, 28, 49)
24	902550	1	Bearing Ball-6203	55#	56384051	1	Shaft-Wheel-10.99 x Ø0.50
25	920110	1	Nut, 5/16-18 Hex Lock	56#	56384052	2	Wheel--5.00 x 2.00
26	920349	1	Nutstopelastic1/4-20 Hvythn	57#	87058A	2	Washer, Retainer
27	920365	1	Nut 1/2-13 Nylock	58#	56109766	2	Screw Button Head 1/4-20 X .63
28	960969	1	Bolt Shoulder 5/16 X 3/4				
29	962233	2	Scr 1/4 -20x 5/16 St St Knurl				
30	962330	1	Screw, 6-32 X 3/8 Pan Hd.				
31	962337	5	Screw 1/4-20 X 1/2 Sc St Cap				
32	962727	3	Screw, 8-32 X 1/2				

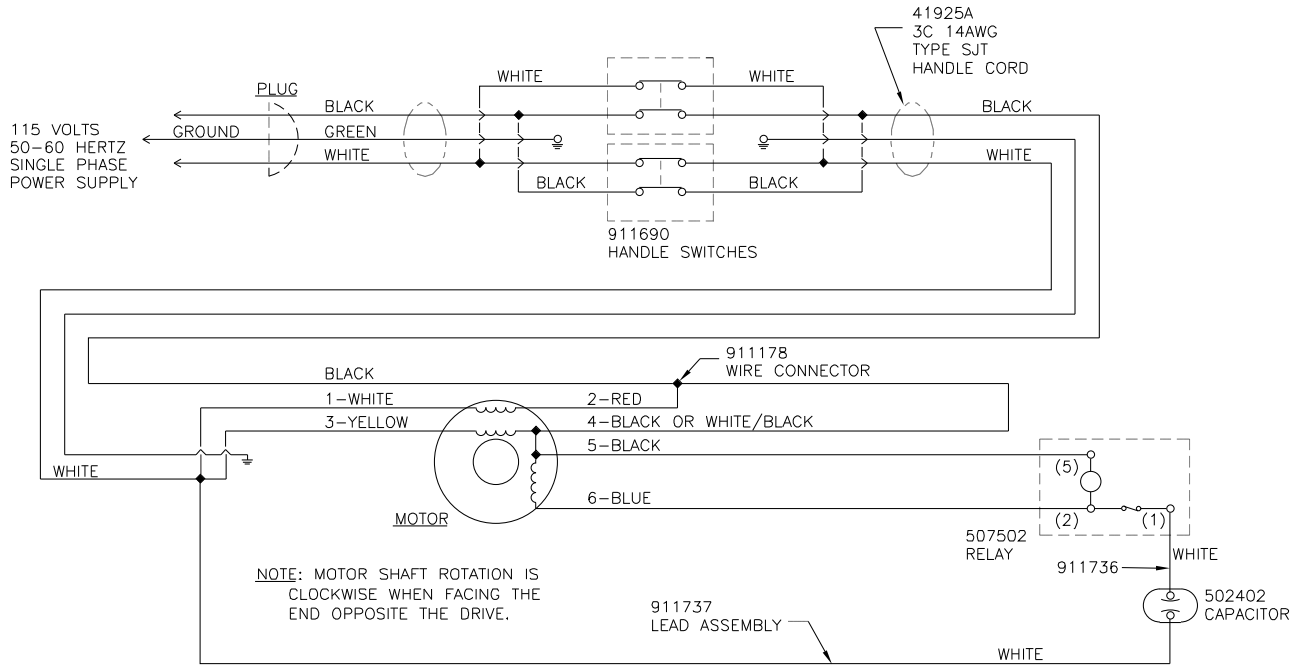
* = Optional, Not Included

= Revised or new since last update

NOTE 1: This part is still available for replacement purposes but a new wheel kit can be ordered to replace both wheels and their mounting hardware (FM Polisher Wheel Kit is 56384053).

NOTE 2: Wheel Assembly 59961A is obsolete please order FM Polisher Wheel Kit 56384053 for replacement.

WIRING DIAGRAM



Limited Warranty

FM1700HDTR

TO QUALIFY FOR THIS WARRANTY

- 1) Machine must be registered at the time of purchase on a form provided by Amano Pioneer Eclipse® Corporation. Your Amano Pioneer Eclipse Distributor is responsible for the registration of your machine. Please cooperate with your Distributor in supplying necessary information on the card.
- 2) The machine must have been purchased from Amano Pioneer Eclipse or an authorized Amano Pioneer Eclipse Distributor.
- 3) This warranty extends to the original purchaser only and is not transferable to subsequent owners.

TIME PERIODS

- 1) One year warranty on parts and labor for the model FM1700HDTR. Warranted to be free from defects in material and workmanship for a period of (1) year from the date of purchase by the original owners. (See Exclusions.)

EXCLUSIONS (Not Covered by Warranty)

- 1) Parts that fail through normal wear by reason of their characteristics (cords, motor brushes, pad holder, wheels, or other consumable parts).
- 2) This warranty does not extend to parts affected by misuse, neglect, abuse or improper maintenance. All defective parts must be returned to the distributor for credit.

THE OBLIGATION OF AMANO PIONEER ECLIPSE CORPORATION

- 1) The obligation of Amano Pioneer Eclipse under this warranty is limited to repairing or replacing, at its option, any part which is proven to be defective in material or workmanship under normal use for the applicable period stated above.
- 2) Warranty repairs will be made by your Amano Pioneer Eclipse Distributor without charge for parts and labor. They will be compensated with a warranty labor rate of \$45.00 per hour, for the first year of ownership.
- 3) Parts repaired or replaced under this warranty are warranted only during the balance of the original warranty period. All defective parts replaced under these warranties become the property of Amano Pioneer Eclipse.

WARRANTY SERVICE

To obtain warranty service, take your machine and proof of purchase to any authorized Amano Pioneer Eclipse Distributor. Amano Pioneer Eclipse will not reimburse expenses for service calls or travel. For the Distributor in your area, call Amano Pioneer Eclipse Customer Service Department at 800-367-3550 or 1-336-372-8080. If you are dissatisfied with the service that you receive, call or write Amano Pioneer Eclipse Customer Service Department for further assistance.

INSTRUCTIONS AND CONDITIONS FOR WARRANTY REIMBURSEMENT

- Order replacement part: Orders will be processed and charged, as normal procedure.
- Call APEC for R/A number.
- You will need the Machine Serial Number and the Machine Model Number.
- Parts must be returned, accompanied with the R/A number to be eligible for warranty credit.
- All Warranty Parts will be shipped prepaid UPS Ground, any other method will be at the recipients expense.
- Freight on any Warranty Part after 30 days must be paid for by the Purchaser.
- Warranty labor rate is 45.00 per hour.
- Credit will be issued upon completion of the above steps, at above rates.

DISCLAIMER OF CONSEQUENTIAL

AMANO PIONEER ECLIPSE DISCLAIMS ANY RESPONSIBILITY FOR LOSS OF USER TIME OF THE AMANO PIONEER ECLIPSE MACHINE OR ANY OTHER INCIDENTAL OR CONSEQUENTIAL DAMAGE EXCEPT AS STATED IN THE WARRANTY APPLICABLE TO EACH MACHINE. EXCEPT AS STATED IN SUCH WARRANTIES, THE COMPANY DOES NOT OTHERWISE WARRANT ANY MACHINE AND NO WARRANTY, EXPRESS, IMPLIED OR STATUTORY IS MADE BY THE COMPANY.

Copyright 2015 Amano Pioneer Eclipse Corporation



Amano Pioneer Eclipse Corporation

1 Eclipse Rd ● PO Box 909
Sparta, North Carolina 28675 ● USA
www.pioneereclipse.com

+1-336-372-8080
1-800-367-3550
Fax 1-336-372-2913