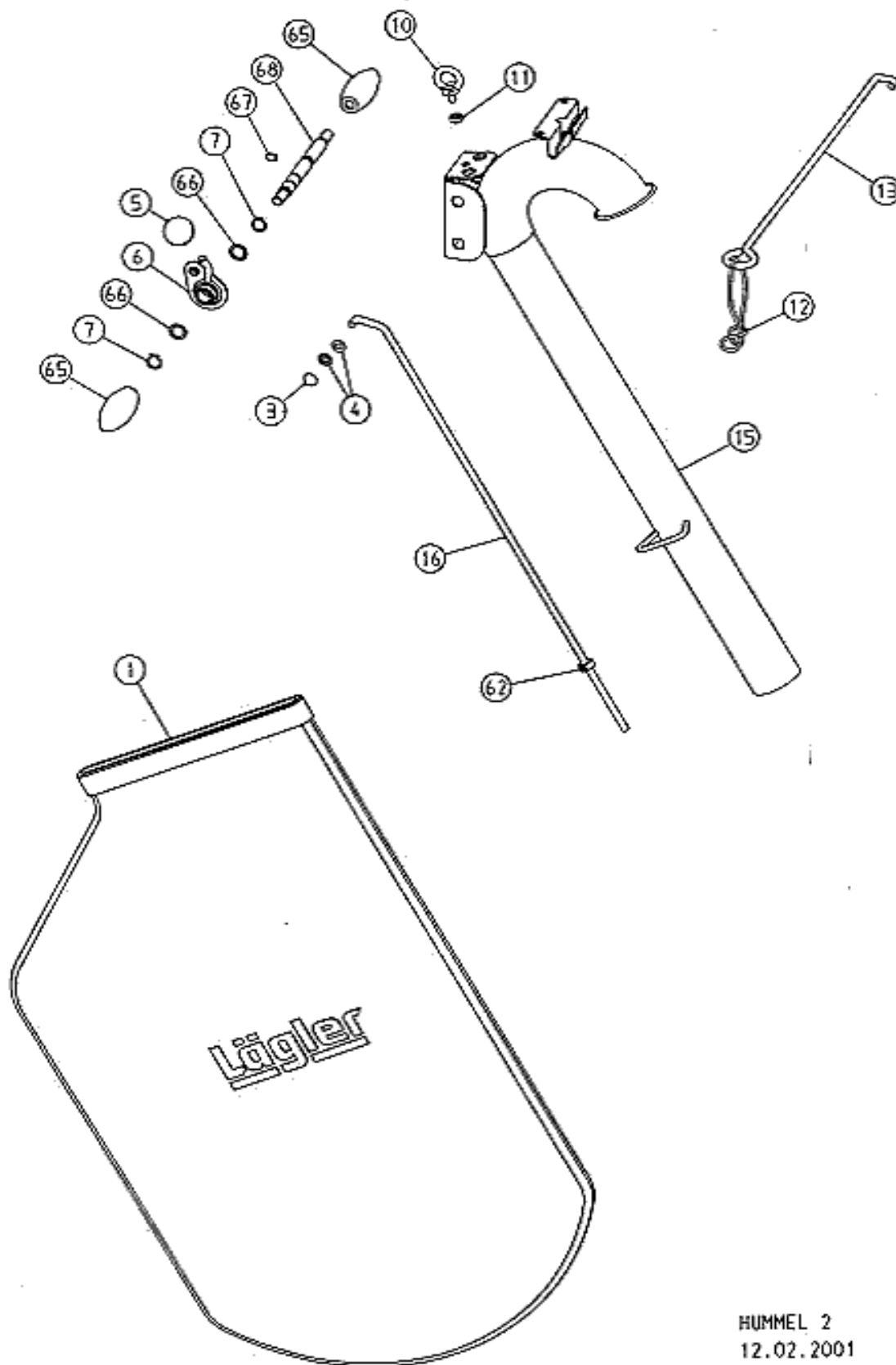


HUMMEL 1
12.02.2001

Picture #1

Corrospounding table for picture #1

<u>Pos.</u>	<u>PART #</u>	<u>Description</u>
4	P027	Washer
11	P033	Steel nut
21	P058	Hexagonal socket head screw
22	P055	Belt guard, complete
23	P276	Toothed lock washer
24	P470	Hexagonal head screw
25	P260	O-ring
26	P059	Screw stud
27	P261	Lens head screw
28	P049	Cover fastener
29	P064	Belt tensioner, complete
30	P021	Housing
31	P028	Wing nut
33	P025	Hexagonal head screw
36	P030	Bracket
37	P032	Hexagonal head screw
38	P031	Grip
39	P036	Rivet
40	P022	Bumper felt
41	P023	Sealing felt
42	P263	Washer
43	P044	Hexagonal head screw
44	P047	Washer
45	P102	Wall protecting roller with bracket
46	P040	Bracket
47	P046	Nut
49	P042	Wall protecting roller
50	P045	Hexagonal socket head screw
51	P1110	Plastic bushing
52	P039	Hexagonal socket head screw
53	P037	Safety guard, complete
54	P038	PVC tube
55	P048	Side cover
56	P051	Collar nut complete
59	P280	Guide roller, complete

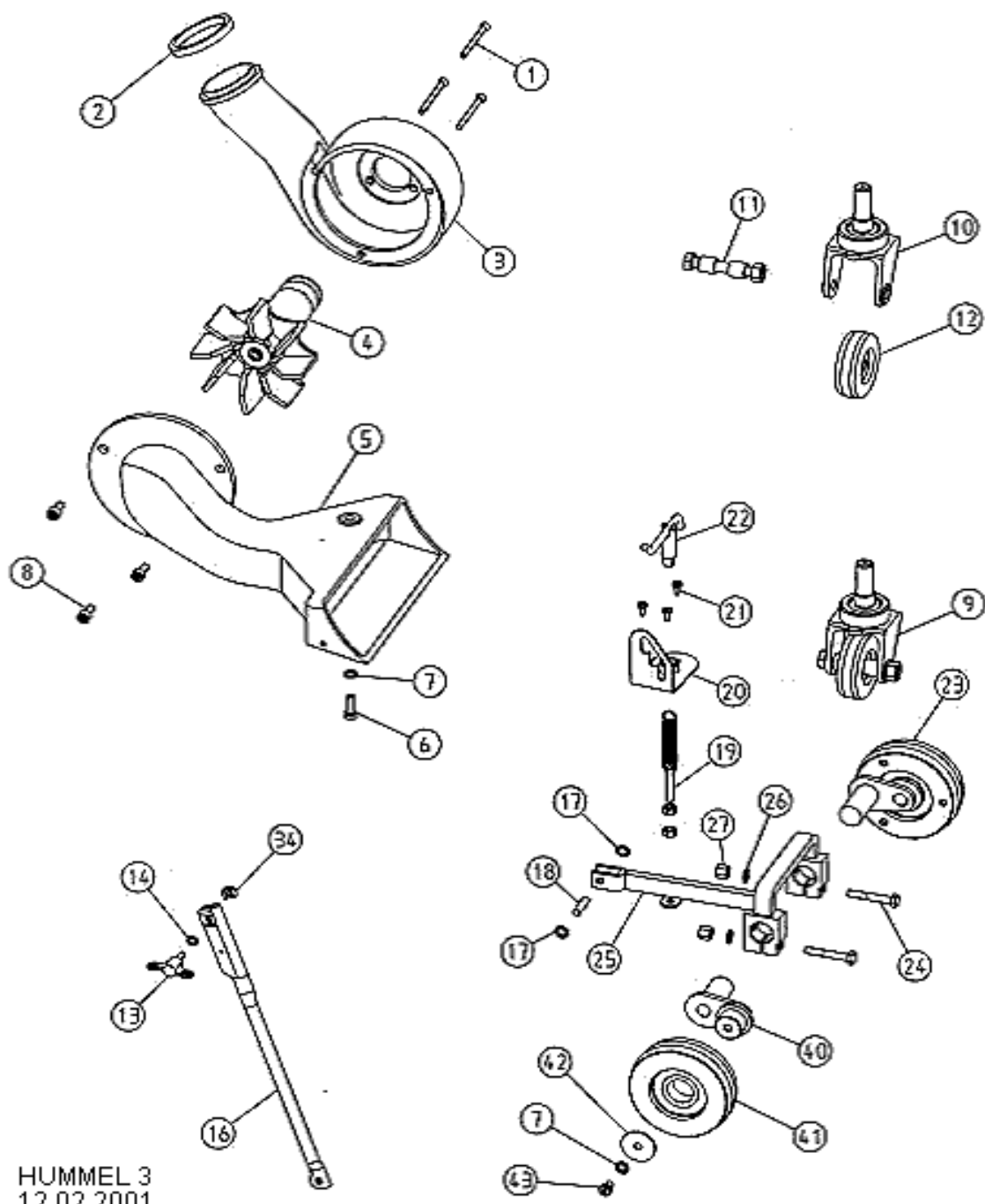


HUMMEL 2
12.02.2001

Picture #2

corrospounding table for picture #2

<u>Pos.</u>	<u>PART #</u>	<u>Description</u>
1	P225	Dustbag
3	P087C	Fixing cap
4	P027	Washer
5	P083	Ball knob
6	P080	Lever
7	P088	Circlip
10	P256	Thread eye
11	P033	Steel nut
12	P127	Strain relief ring
13	P082	Cable support, complete
15	N/A	Guide tube
	P076	Guide tube USA
	N/A	Guide tube, complete
	P090	Guide tube USA, complete
	P090L	Guide tube long, complete
16	P081	Upper rod
62	P124	Adjusting ring, complete
65	P079	Handle
66	P1130	Precision washer
67	P1131	Grub screw
68	P1132	Axle for handle

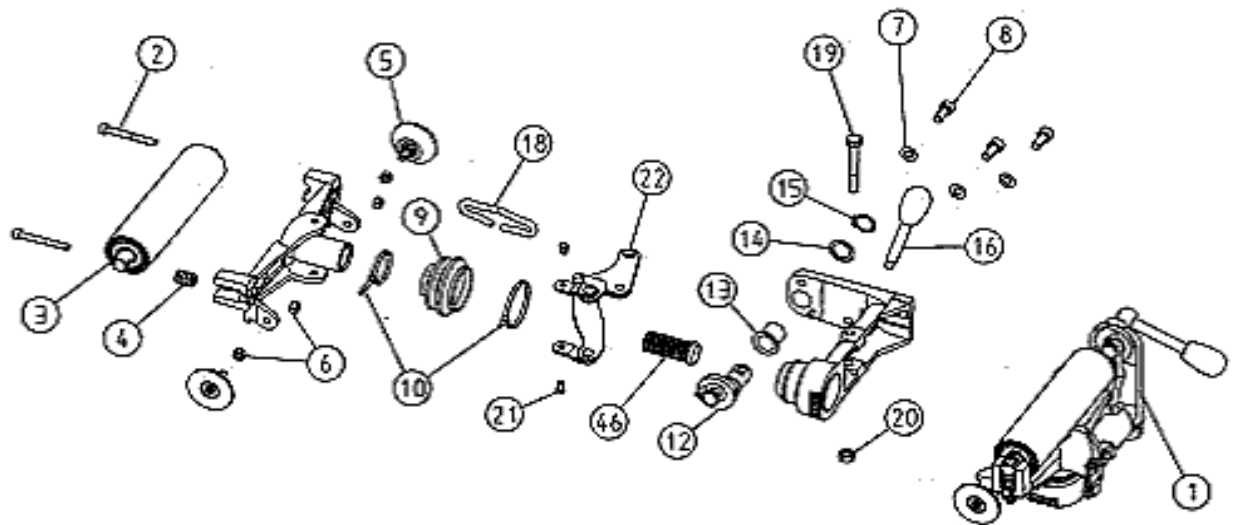


HUMMEL 3
12.02.2001

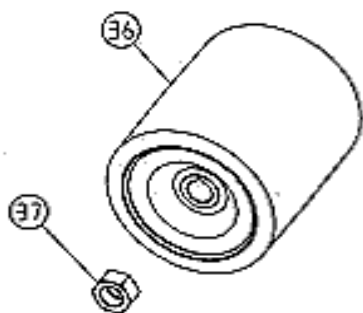
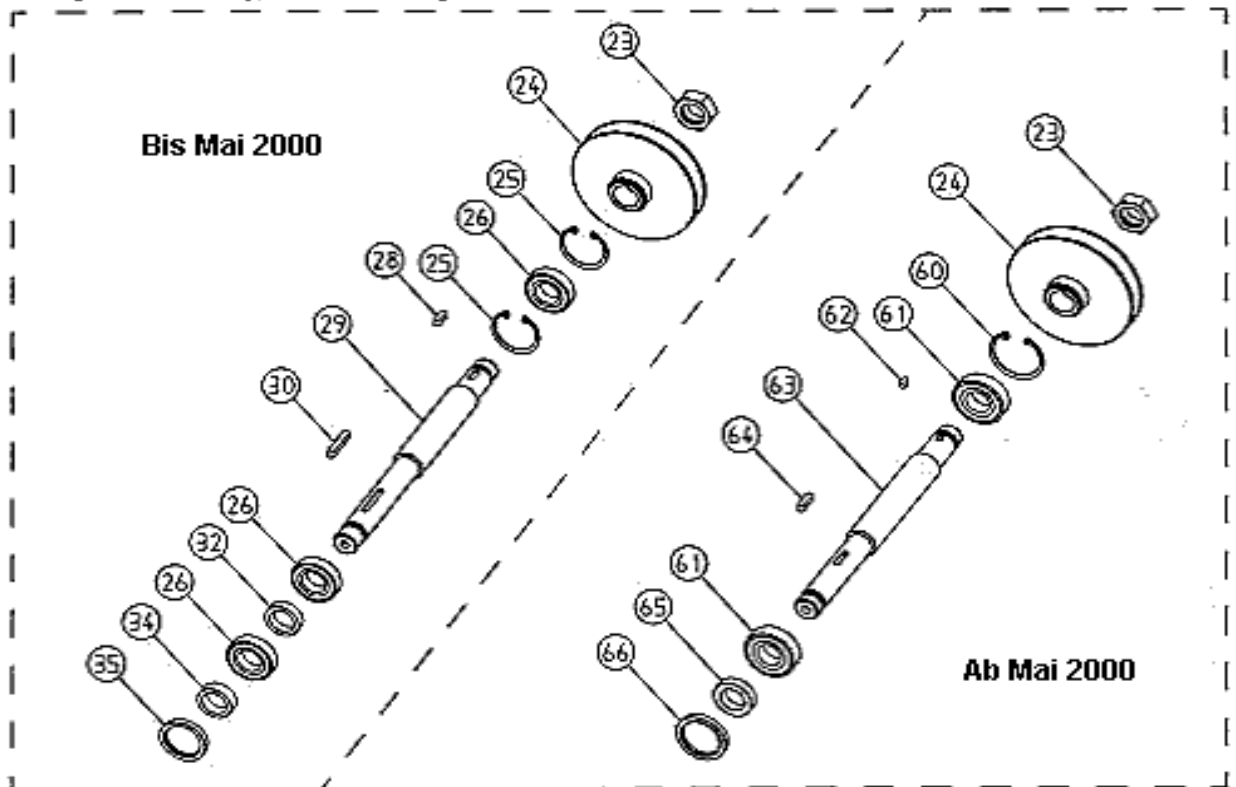
Picture #3

corrospounding table for picture #3

<u>Pos.</u>	<u>PART #</u>	<u>Description</u>
1	P180	Countersunk head screw
2	P171	Sealing ring
3	P170	Fan housing
4	P169	Fan insert, complete
5	P168	Intake duct
6	P032	Hexagonal head screw
7	P173	Toothed lock washer
8	P125	Hexagonal socket head screw
9	P091	Rear wheel, complete
10	P277	Yoke housing, complete
11	P100	Axle, complete
12	P099	Rear wheel
13	P145	Wing screw
14	P047	Washer
16	P138	Lower rod
17	P144C	Quick-fixing-fastener
18	P134	Pivot pin
19	P140	Tension spring complete w/ screw
20	P137	Notch plate
21	P142	Lens head screw
22	P135	Spring tensioner, complete
23	P147	Lateral wheel, complete
24	P141	Hexagonal head screw
25	P133	Lifting fixture
26	P027	Washer
27	P033	Nut
34	P283	Exchangeable nut
40	P151	Wheel arm
41	P149W	Lateral wheel
42	P1133P	Washer
43	P1134	Hexagonal socket head screw



Bitte geben Sie bei jeder Bestellung die Maschinenummer an.

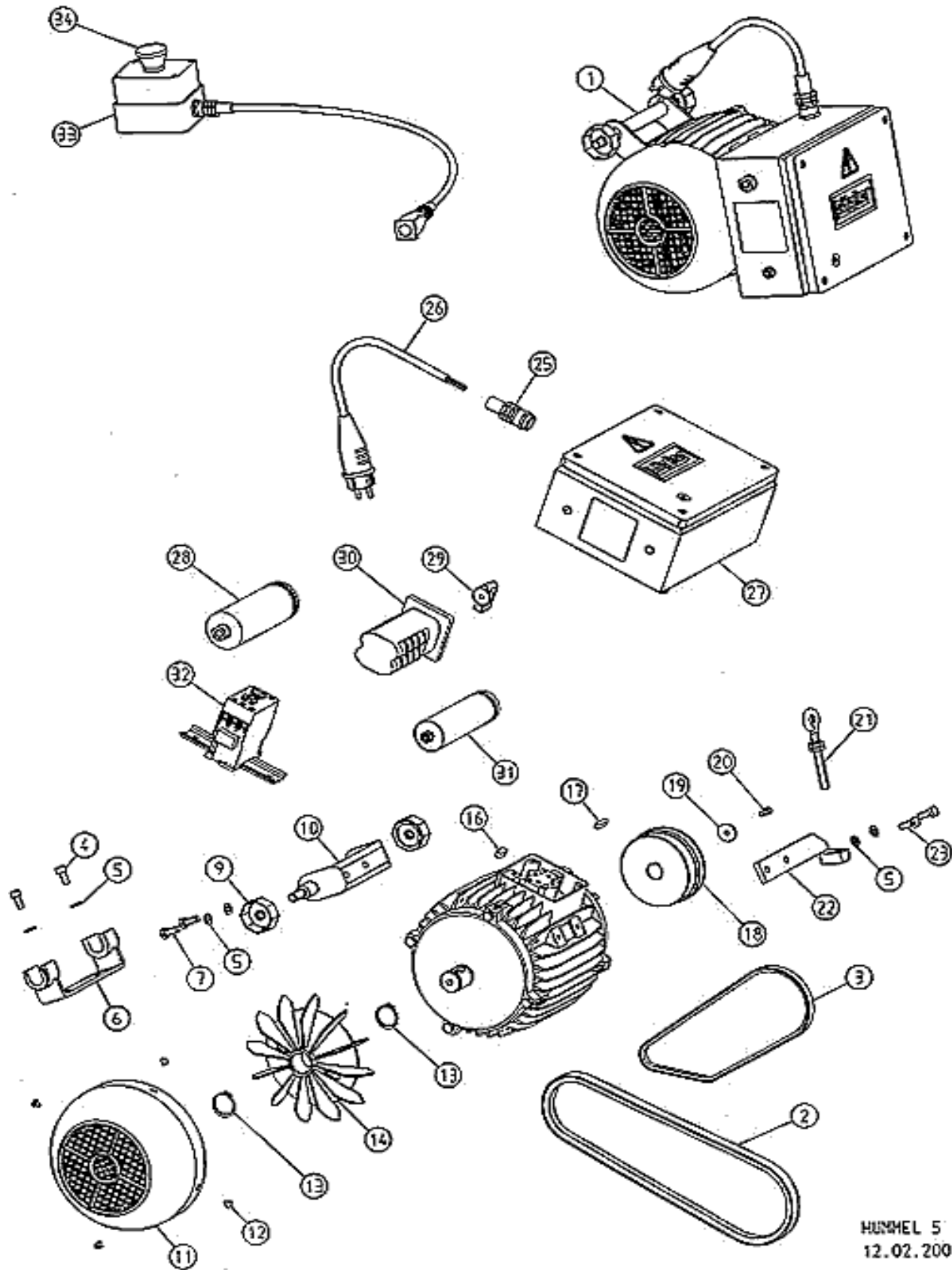


HUMMEL 4
12.02.2001

Picture #4

corrospounding table for picture #4

<u>Pos.</u>	<u>PART #</u>	<u>Description</u>
1	P107	Drive unit, complete
2	P126	Hexagonal socket head screw
3	P110	Tensioning roller
4	P123	Compression spring
5	P108	Guide roller
6	P046	Steel nut
7	P027	Washer
8	P125	Hexagonal socket head screw
9	P815	Collar
10	P816	Nylon fastener
12	P913	Crank
13	P117	Bearing bush
14	P273	Precision washer
15	P130	Circlip
16	P115	Operating lever
18	P912	Clip
19	P921	Hexagonal head screw
20	P920	Steel nut
21	P915	Roundhead screw
22	P914	Double arm, complete
23	P158	Hexagonal nut rh
24	P160	V-belt pulley
25	P167	Circlip
26	P164	Ball bearing
28	P163	Key
29	P154	Sanding shaft
30	P162	Key
32	P157	Spacer ring
34	P156	Slide ring
35	P166	Shaft seal
36	P161	Sanding drum HUMMEL
	P1120	Sanding drum HUMMEL, hard rubber cover
37	P159	Hexagonal nut lh
46	P121	Compression spring
60	P1137	Circlip
61	P1138	Ball bearing
62	P975	Key
63	P154NS	Sanding shaft
64	P221	Key
65	P1140	Spacer ring
66	P1141	Shaft seal

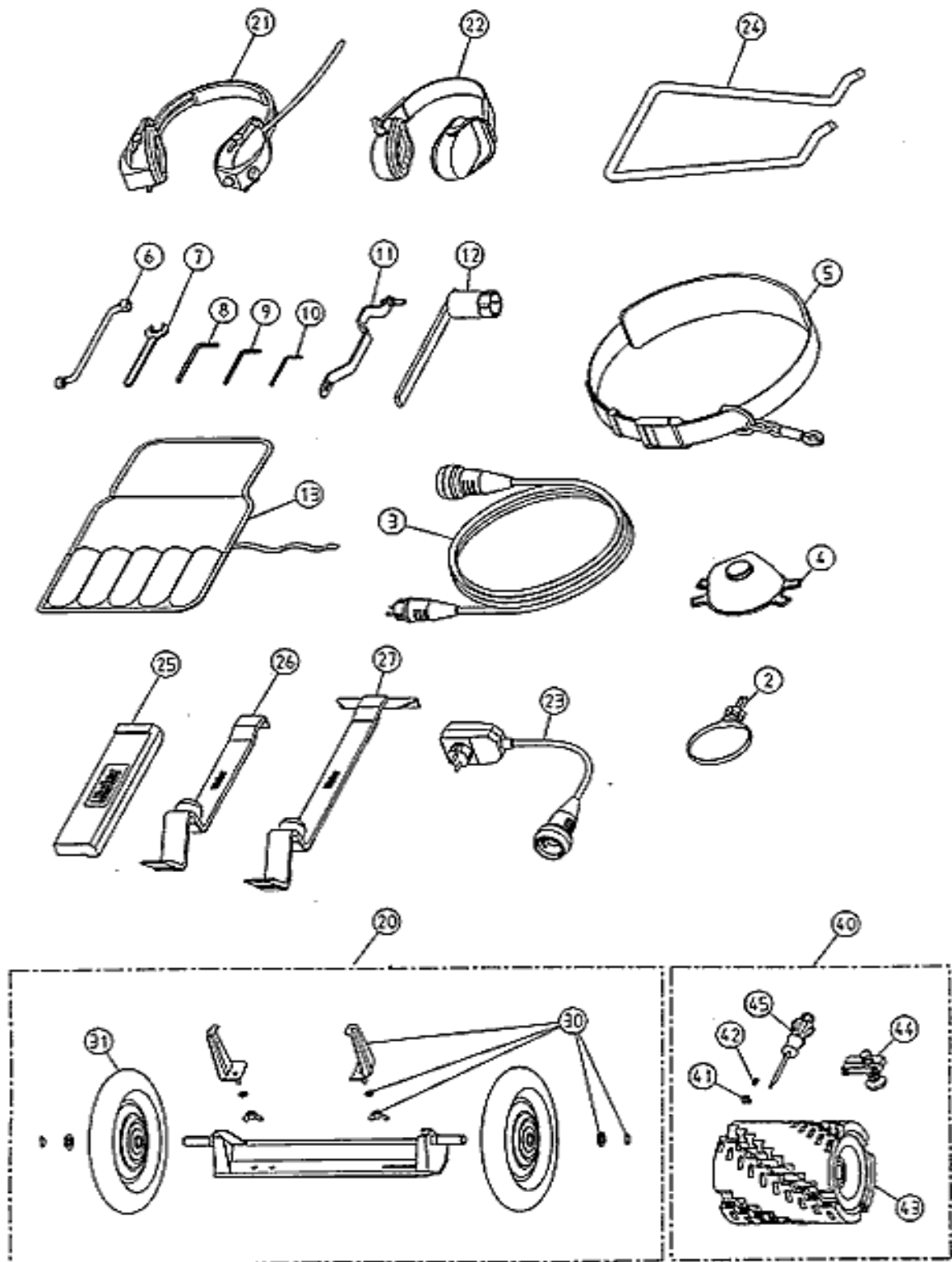


HUNMEL 5
12.02.2001

Picture #5

corrospounding table for picture #5

<u>Pos.</u>	<u>PART #</u>	<u>Description</u>
1	N/A	Single phase AC motor new, 230 V / 50 CPS
	N/A	Single phase AC motor new, 230 V / 60 CPS
	P185	Single P. AC motor new, 220 V / 4 HP, USA
	N/A	Three phase motor new, 400 V / 50 CPS
2	P186	V-belt 17 x 875
3	P187	V-belt 10 x 650
4	P125	Hexagonal socket head screw
5	P211	Spring washer
6	P193	Motor bearing bracket
7	P196	Hexagonal head screw
9	P194	Motor nut
10	P192	Motor mounting
11	P217	Fan cover
12	P219	Pan head screw
13	P224	Circlip
14	P216	Fan wheel
16	P220	Key
17	P221	Key
18	P214	Motor pulley
19	P215	Lock washer
20	P1135	Hexagonal socket head screw
21	P197	Eye bolt
22	P195	Motor tensioner
23	CALL FOR #	Hexagonal head screw
25	P208	Strain relief unit
26	N/A	Motor cable 3 x 2.5 mm ²
	P206	Motor cable 3 x 2.5 mm ² , USA
	N/A	Motor cable , three phase
27	N/A	Switchbox, 230 V / 50 CPS
	P275	Switchbox, 220-230 V / + three phase
28	P205	Running capacitor
29	P203	Switchknob
30	P202	Switch
	N/A	Switch three phase
31	N/A	Starting capacitor
	P153	Starting capacitor USA
32	P278	Universal contactor
	N/A	Universal contactor cpl, three phase
33	P808	Emergency switch
34	P836	Red button for kill-switch



HUMMEL 6
 12.02.2001

Picture #6

corrospounding table for picture #6

<u>Pos.</u>	<u>PART #</u>	<u>Description</u>
2	P018	Multiclip
3	N/A	Extension cable , 10 m long
	P235L	Extension cable , 20 m long
	P235L	Extension cable , 10 m long, three phase
4	N/A	Protective mask P3
5	P254	Safety belt
6	P867	Closed mouth wrench
7	P866	Open mouth wrench
8	P230	Hex socket screw wrench 6 mm
9	P231	Hex socket screw wrench 5 mm
10	P234	Hex socket screw wrench 4 mm
11	P233	Setting fixture
12	P232	Box wrench
13	P227	Tool bag, empty
	P226	Tool bag, complete
20	P237	Trolley TRANSCART, complete
21	N/A	Foldable earmuff type MUSIMAFF
22	N/A	Foldable earmuff type POCKET
23	N/A	DI-safety plug
24	P835	Carrying handle HUMMEL
25	P1099	Impact tool
26	P1099-43	Parquet layer tool, 43 cm
27	P1099-55	Parquet layer tool, 55 cm
30	P1136	Accessories TRANSCART
31	P266	Wheel TRANSCART
40	P204	complete with accessories
41	P971	Carbide tool (10 pcs. per box)
42	P1121	Screw for blade
43	P1122	Milling drum with carbide blades
44	P1123	Cutting depth adjustment, complete
45	P1069	Torx screw driver