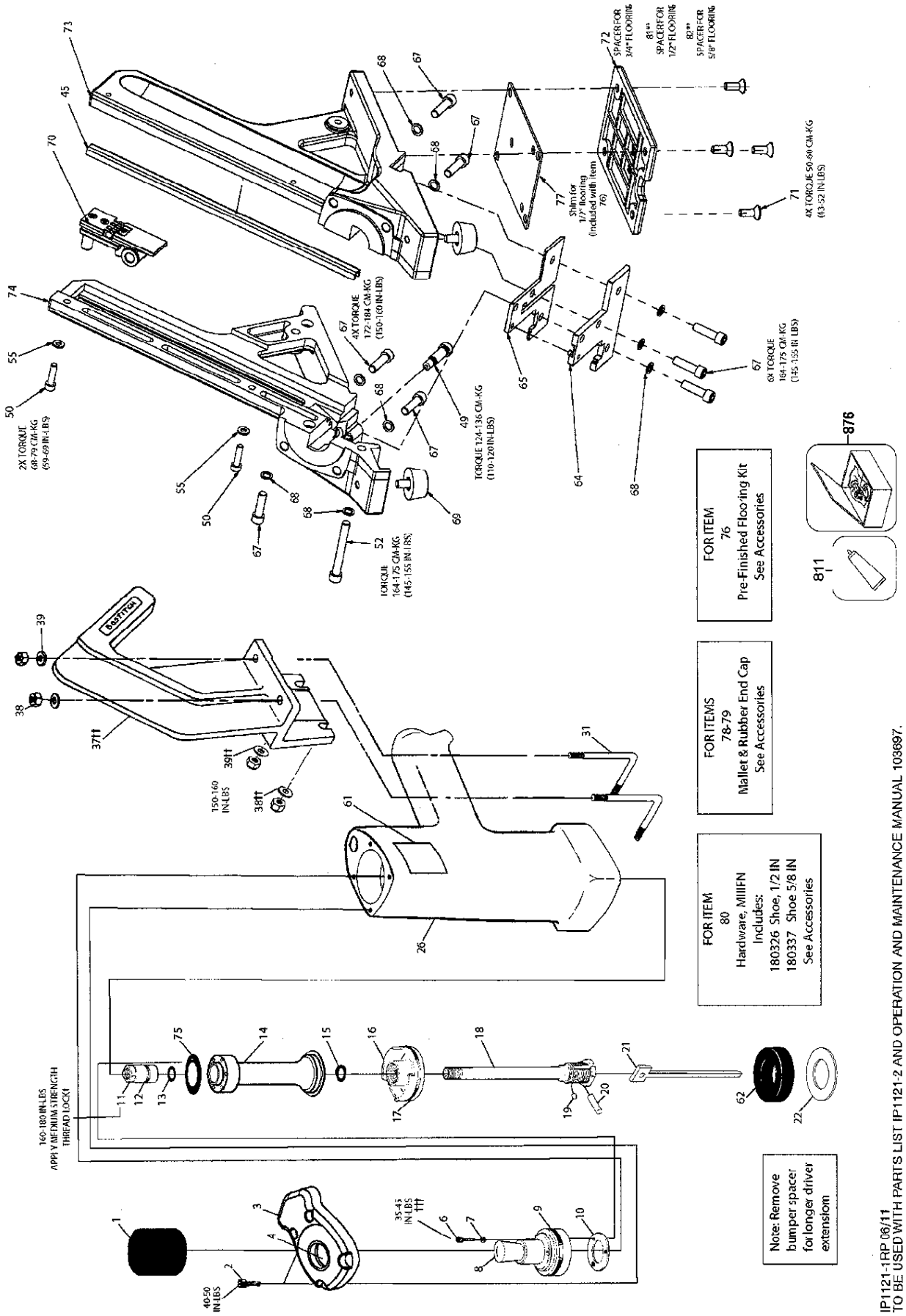


MIIIFN

FLOORING NAILER
CLAVADORA DE PISOS
CLOUEURS DE PLANCHER



Parts List for MILIFN Type 0

Item Number Part Number Description Qty Required

1	87502	HAMMER FACE	1
2	UA3810.4	SCREW-10-24 X 5/8 SH	4
3	117524	CAP-FRAME	1
4	88445	O-RING	1
6	UA2810	SCREW-SHCS-8-32X5/8	3
7	LW8.2	LOCK WASHER	3
8	BC1295	POPET ACTUATOR	1
9	86460	O-RING	1
10	180256	SEAL	1
11	BC703	STEM-PLUNGER - MII	1
12	850144	O-RING-.614X.070	1
13	86458	O-RING	1
14	121800	POPET	1
15	850143	O-RING-.487X.103	1
16	BC1175	DRIVER PISTON	1
17	850626	O-RING-1.984X.139	1
18	BC1455	PISTON STEM	1
19	BC347	NYLON INSERT	1
20	UB4112.3	PIN-DOWEL .250 X .7	1
21	180258	DRIVER	1
22	118076	SPACER-BUMPER	1
26	BC1328AFS	BODY	1
31	BC1301	CLAMP SCREW	2
37	BC1619	HANDLE-LONG	1
38	HN1420.4	NUT-ESN-1/4-20	4
39	PW14	WASHER-1/4 USS FLAT	4
45	180248	FASTENER GUIDE	1

COPYRIGHT © 2005. All Rights Reserved.
 Parts list, pricing, and availability subject to change. Please visit www.dewalt.com for current parts information.

Parts List for MIIIFN Type 0

Item Number Part Number Description Qty Required

49	180249	SPECIAL SCREW	1
50	107166	SCREW-SHCS-10-24X3/4	2
52	107161	SCREW-SHCS-1/4-20X2	1
55	107163	WASHER-3/16 DIA.	2
61	182280	WARNING LABEL	1
62	105043	BUMPER	1
64	182185	ASSEMBLY-NOSE	1
65	180247	NOSE PLATE	1
67	UA4814.1	SCREW-SHCS-1/4-20 X	14
68	107164	WASHER-1/4 DIA.	14
69	175808	BUMPER ASSEMBLY	1
70	182184	ASSEMBLY-PUSHER	1
71	107162	SCREW-SFHCS-1/4-20X5	4
72	175794	SHOE-3/4 IN	1
73	180244	FRAME-MACHINING LEFT	1
74	180242	FRAME-MACHINING RIGH	1
75	121799	O-RING-1.287 X .210	1
77	159828	SHIM-FOOT	1
78	174236	MALLET-14.5IN GRAPHI	1
80	9R186248	HARDWARE	1
81	180326	SHOE-1/2 IN.	1
82	180337	SHOE-5/8 IN.	1
811	851385	LOCTTE	1
811	851325	LOCTTE	1
876	ORK6	REPAIR KIT	1
876	MIIISK	REPAIR KIT	1
876	RBK9	KIT-REBUILD MIII	1

COPYRIGHT © 2005. All Rights Reserved. Parts list, pricing, and availability subject to change. Please visit www.dewaltserverivce.net for current parts information.