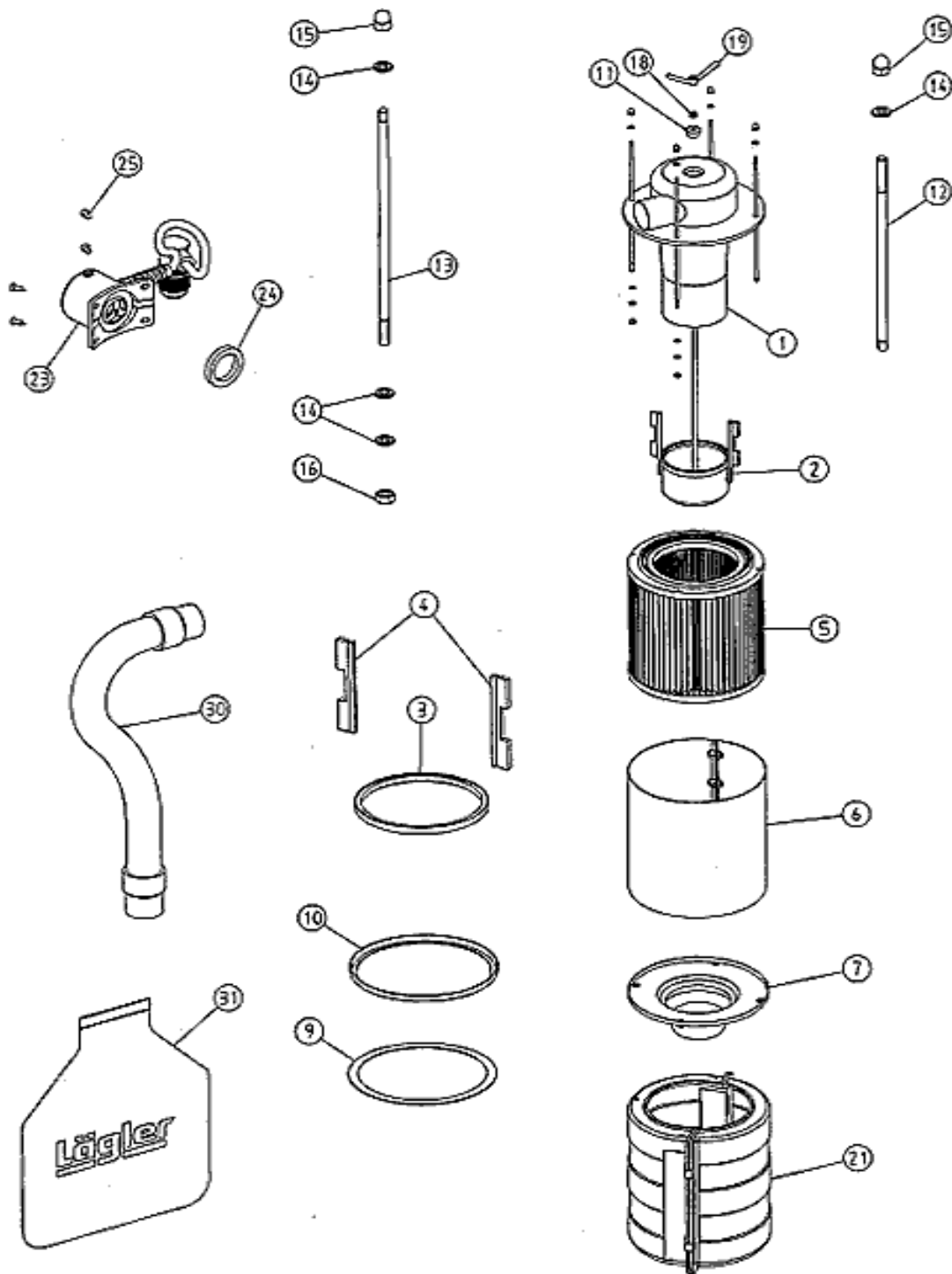


TRIO 1  
14.02.2001

**Picture #1**

## Corrospounding table for picture #1

<u>Pos.</u>	<u>PART #</u>	<u>Description</u>
	<b>P1000</b>	<b>Driving unit, complete</b>
<b>1</b>	<b>P1001</b>	<b>Frame, complete</b>
<b>2</b>	<b>P1002</b>	<b>Bumper felt</b>
<b>3</b>	<b>P960</b>	<b>Safety rubber</b>
<b>4</b>	<b>P1003</b>	<b>Wheel, complete</b>
<b>6</b>	<b>P1005</b>	<b>Wheel holder</b>
<b>7</b>	<b>P961</b>	<b>Wheel</b>
<b>8</b>	<b>P027</b>	<b>Washer</b>
<b>9</b>	<b>P1131</b>	<b>Lens head screw</b>
<b>10</b>	<b>P033</b>	<b>Steel nut</b>
<b>14</b>	<b>P125</b>	<b>Hexagonal socket head screw</b>
<b>15</b>	<b>P1009</b>	<b>Handle</b>
<b>16</b>	<b>P132</b>	<b>Circlip</b>
<b>17</b>	<b>P967</b>	<b>Clamping device</b>
<b>18</b>	<b>P969</b>	<b>Rubber buffer</b>
<b>19</b>	<b>P972</b>	<b>Lens head screw</b>
<b>20</b>	<b>P1010</b>	<b>Separator complete</b>

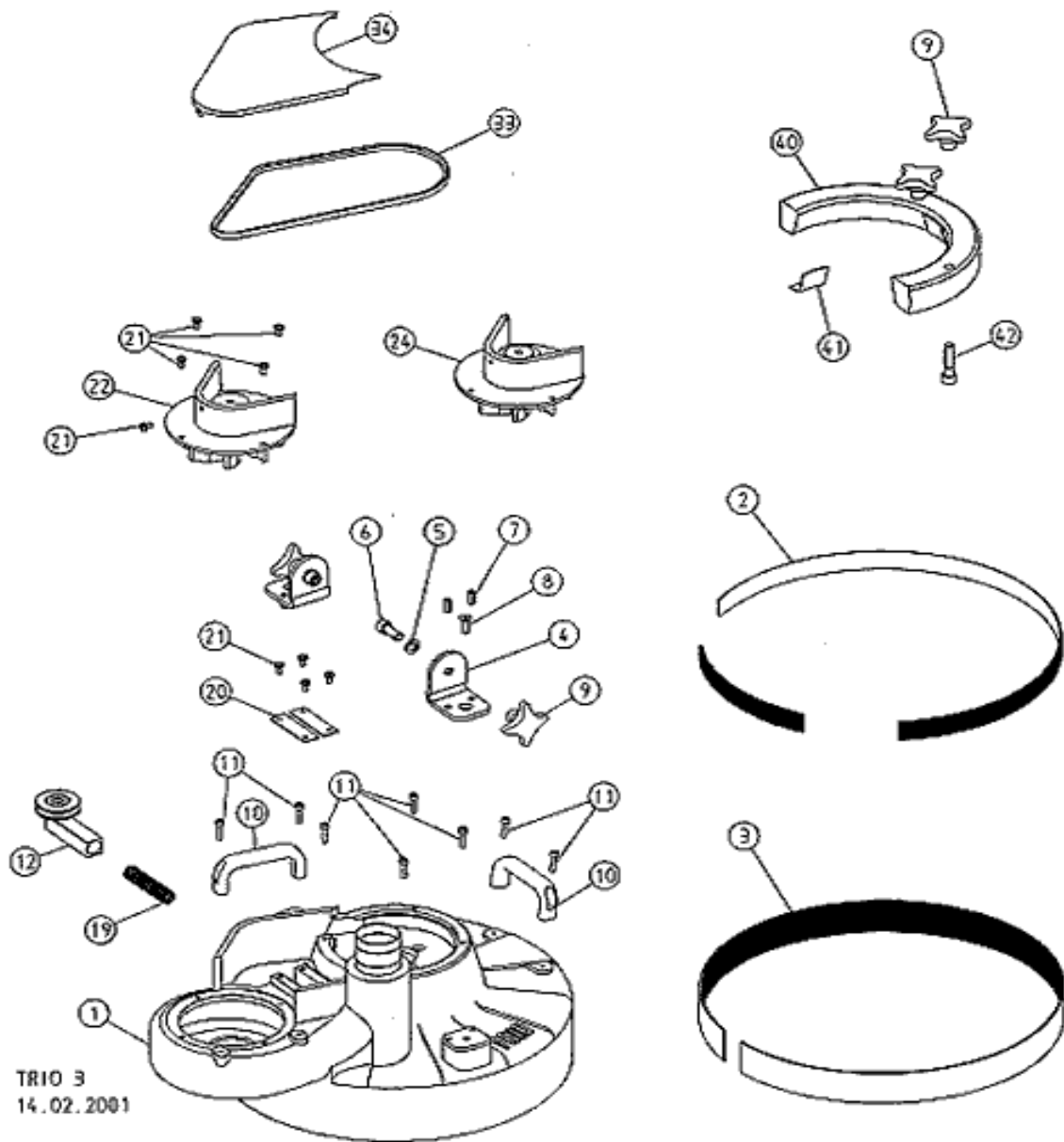


TRIO 2  
14.02.2001

Picture #2

## corrospounding table for picture #2

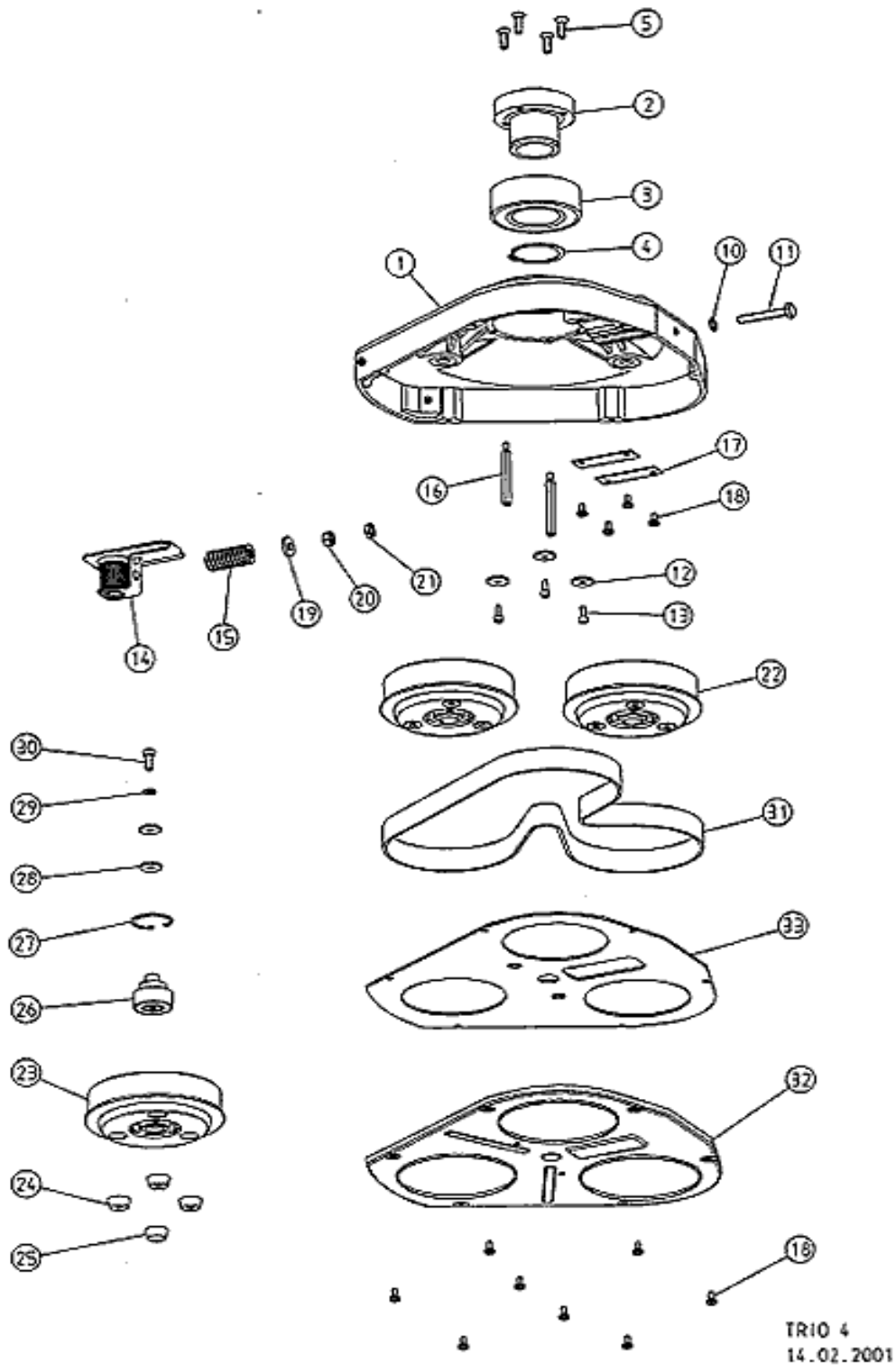
<u>Pos.</u>	<u>PART #</u>	<u>Description</u>
1	P1074	Separator upper part
2	P1013	Opener, complete
3	P1014	Sealing brush
4	P1015	Filter brush
5	P952	Filter
6	P1016	Protective cover
7	P1017	Cover lower separator complete
9	P1018	Sealing
10	P1019	Ring
11	P945	Rubber plug
12	P1020	Screw, short
13	P1021	Screw, long
14	P047	Washer
15	P1006	Horseshoe nut
16	P1109	Steel nut
18	P033	Nut
19	P028	Wing nut
21	P1023	Dust bag box, complete
23	P948	Pressure control, complete
24	P1024	Sealing washer
25	P1025	Screw
30	P1026	Suction hose
31	P943	Oneway dust bags 25 pcs per carton



**Picture #3**

## corrospounding table for picture #3

<u>Pos.</u>	<u>PART #</u>	<u>Description</u>
1	P1027	Housing
2	P981	Selfadhesive velcro negative
3	P973	Velcro seal
	P1028	Velcro seal TRIO by the roll
4	P1029	Angle
5	P1007	Spring washer
6	P1070	Hexagonal socket head screw
7	P1031	Spring type straight pin
8	P1030	Countersunk screw
9	P1071	Cross grip
10	P1072	Handle
11	P391	Hexagonal socket head screw
12	P957	Belt tensioner, complete
19	P121	Compression spring
20	P1075	Guideplate
21	P958	Lens head screw
22	N/A	Fan insert complete, EU version
24	P1077	Fan insert complete, USA version
33	P944	V-belt 10 x 850
34	P1081	Belt cover
40	P1082	Additional weight, complete
41	P1083	Felt
42	P1084	Hexagonal socket head screw

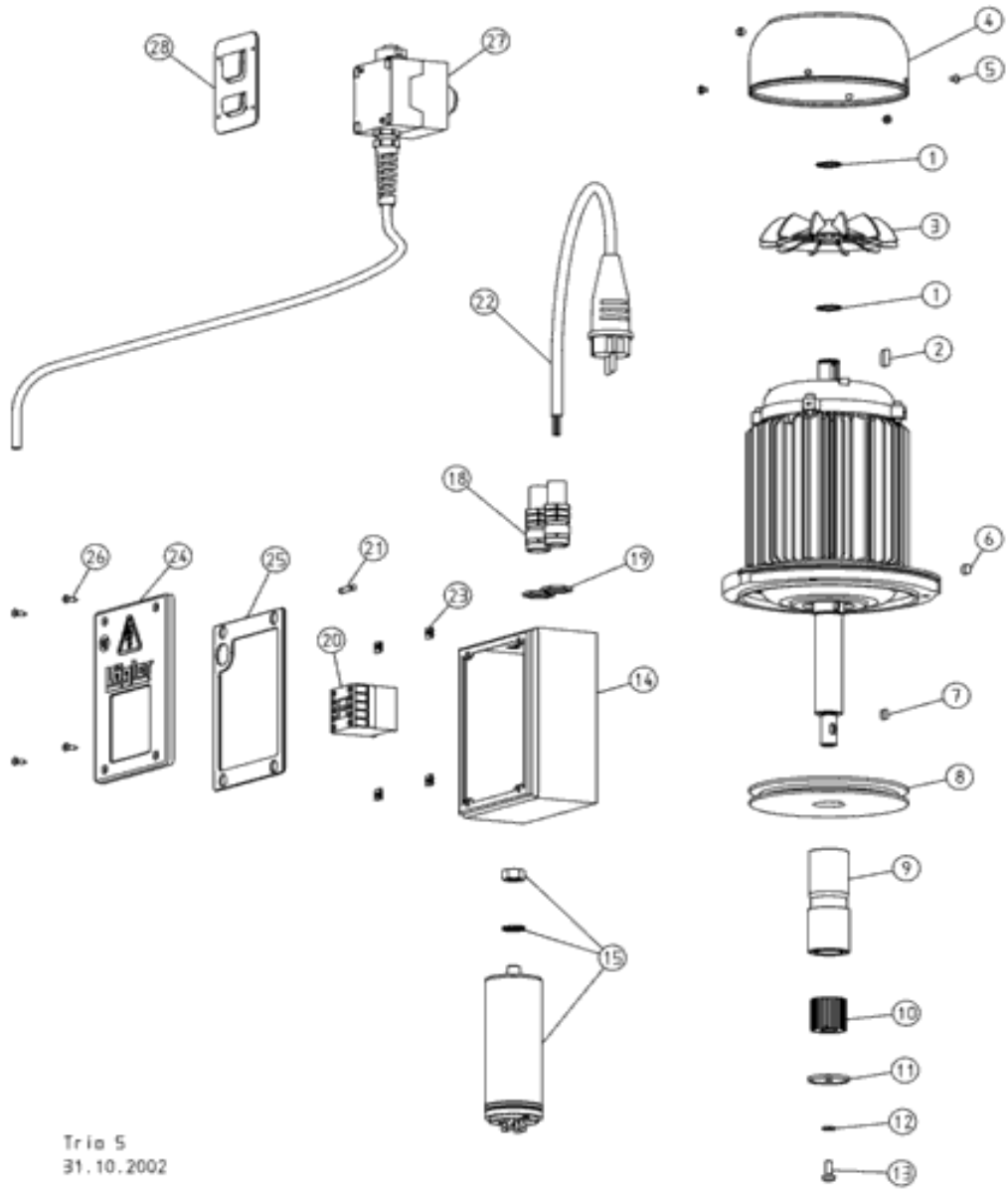


Picture #4

# corrospounding table for picture #4

<u>Pos.</u>	<u>PART #</u>	<u>Description</u>
	<b>P1085</b>	<b>Inner housing, complete</b>
<b>1</b>	<b>P1086</b>	<b>Inner housing</b>
<b>2</b>	<b>P1088</b>	<b>Pick up</b>
<b>3</b>	<b>P1087</b>	<b>Ball bearing</b>
<b>4</b>	<b>P1090</b>	<b>Circlip</b>
<b>5</b>	<b>P1091</b>	<b>Countersunk screw</b>
<b>10</b>	<b>P257</b>	<b>Toothed lock washer</b>
<b>11</b>	<b>P1034</b>	<b>Hexagonal head screw</b>
<b>12</b>	<b>P1079</b>	<b>Lock washer</b>
<b>13</b>	<b>P259</b>	<b>Hexagonal socket head screw</b>
<b>14</b>	<b>P956</b>	<b>Tensioner cpl for dented belt</b>
<b>15</b>	<b>P1033</b>	<b>Spring</b>
<b>16</b>	<b>P1089</b>	<b>Bolt</b>
<b>17</b>	<b>P1032</b>	<b>Guideplate</b>
<b>18</b>	<b>P958</b>	<b>Lens head screw</b>
<b>19</b>	<b>P1035</b>	<b>Washer</b>
<b>20</b>	<b>P1036</b>	<b>Nut</b>
<b>21</b>	<b>P069</b>	<b>Nut</b>
<b>22</b>	<b>P1038</b>	<b>Pulley, complete</b>
<b>23</b>	<b>P1039</b>	<b>Pulley</b>
<b>24</b>	<b>P945</b>	<b>Rubber plug</b>
<b>25</b>	<b>P946</b>	<b>Rubber plug</b>
<b>26</b>	<b>P1040</b>	<b>Axle pulley complete</b>
<b>27</b>	<b>P167</b>	<b>Circlip</b>
<b>28</b>	<b>P1041</b>	<b>Washer</b>
<b>29</b>	<b>P063</b>	<b>Spring washer</b>
<b>30</b>	<b>P125</b>	<b>Hexagonal socket head screw</b>
<b>31</b>	<b>P949</b>	<b>Belt</b>
<b>32</b>	<b>P1044</b>	<b>Cover complete</b>
<b>33</b>	<b>P959</b>	<b>Sealing felt</b>

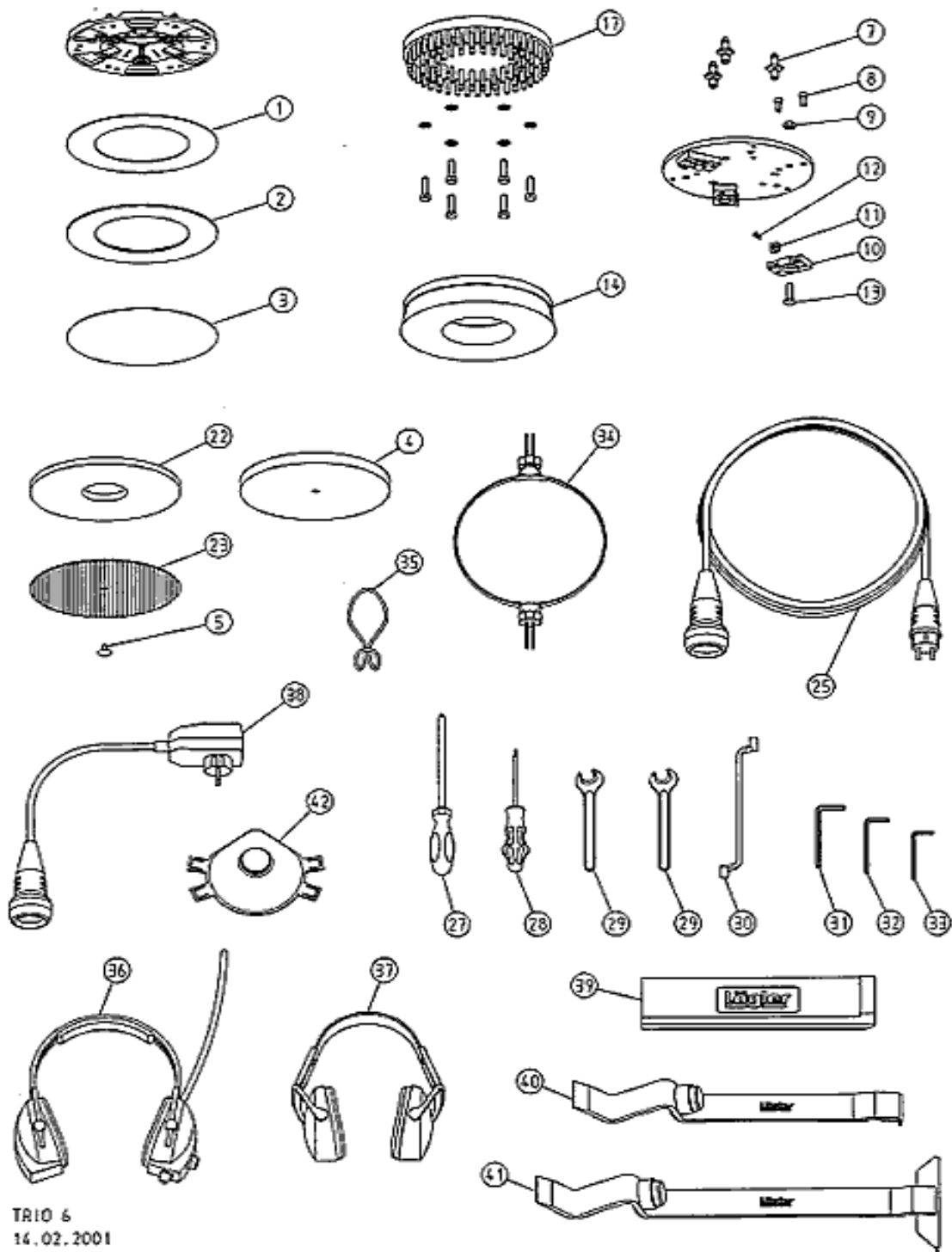




Picture #5

# corrospounding table for picture #5

<u>Pos.</u>	<u>PART #</u>	<u>Description</u>
	N/A	Motor new, 230 V / 50 CPS
	N/A	Motor new, 230 V / 60 CPS
	P974	Motor new, 220 V / 60 CPS, USA
	N/A	Motor new, 400 V / 50 CPS, three phase
1	P439	Circlip
2	P163	Key
3	P432	Fan blade
4	P434	Fan cover
5	P435	Pan head screw
6	P975	Key
7	P965	Key
8	P964	Motor pulley
9	P1045	Spacer sleeve
10	P1046	Pinion
11	P1047	Lock washer
12	P1080	Spring washer
13	P1048	Lens head screw
14	P464	Switch Box
15	P205	Running capacitor
18	N/A	Strain relief unit
	P1050	Strain relief unit USA
19	P1051	Nut
20	P1052	Universal contactor
21	P1053	Fuse
22	N/A	Motor cable 3 x 2.5 mm <sup>2</sup>
	P206	Motor cable 3 x 2.5 mm <sup>2</sup> , USA
	N/A	Motor cable 5 x 1.5 mm <sup>2</sup> , three phase
23	0.109	Clipnut
24	P381	Cover Switchbox for Sealing
25	P344	Sealing
26	P1057	Screw
27	P951	Switch, Complete
28	P189	Bracket



**Picture #6**

# corrospounding table for picture #6

<u>Pos.</u>	<u>PART #</u>	<u>Description</u>
	P953	Universal disc
1	P955	Velcro ring 200 mm
2	P954	Flexible ring with velcro 200/125 mm
3	N/A	mm dia., grain 60
4	N/A	Polish pads, white, for TRIO
	N/A	Scrubbing pads, green, for TRIO
5	P950	Plastic pin
	P970	Milling disc, complete
7	P1059	Fastening bolt
8	P1063	Hexagonal socket head screw
9	P033	Nut
10	P1060	Holder millingblade
11	P971	Carbide tool (10 pcs. per box)
12	P1062	Screw for blade
13	P1061	Special screw
14	P1064	Brushing disc
	P976	Brush with flat steel inserts, cpl
17	P976	Brush with flat steel inserts cpl
22	P947	Scotch-Brite-Pad, beige
23	N/A	Scotch-Mesh sanding screen, grain 60
25	P235	Extension cable , 10 m long
	P235L	Extension cable , 20 m long
27	P1068	Phillips screwdriver
28	P1069	Torx screw driver
29	P866	Open mouth wrench
30	P845	Closed mouth wrench
31	P230	Hexagonal socket screw wrench 6 mm
32	P231	Hexagonal socket screw wrench 5 mm
33	P234	Hexagonal socket screw wrench 4 mm
34	P018	Multiclip TRIO
35	P127	Strain relief ring
36	N/A	Foldable earmuff type MUSIMAFF
37	N/A	Foldable earmuff type POCKET
38	N/A	DI-safety plug
39	P1099	Impact tool
40	N/A	Parquet layer tool, 43 cm
41	N/A	Parquet layer tool, 55 cm
42	N/A	Protective mask P3