



PALLMANN®

wood floors. protected

spare parts list

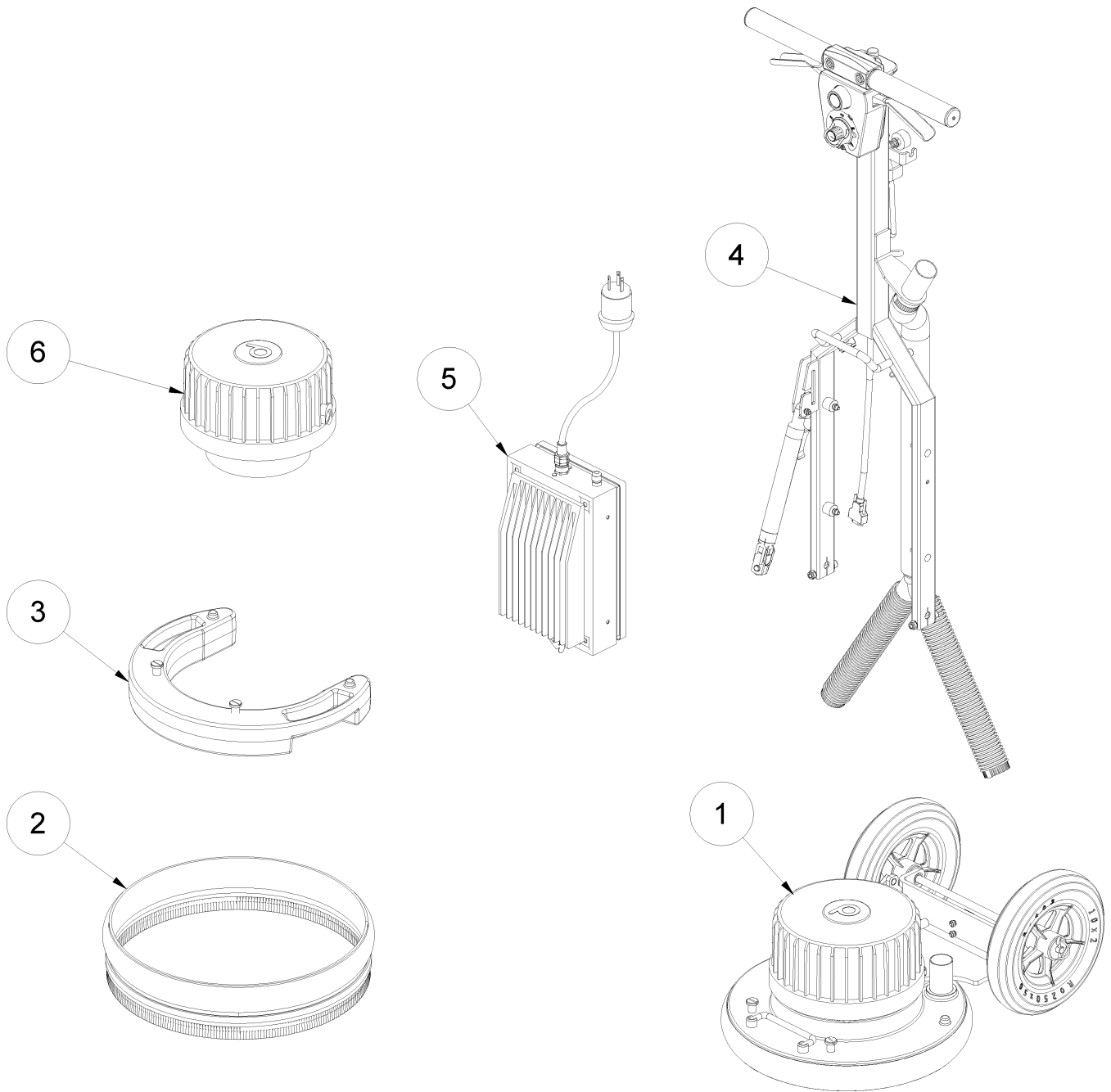
Pallmann Spider 230V USA



Table of contents

Pallmann Spider USA 0001/2013 - up to now	3
1 Motor housing	5
2 Dust seal	7
3 Additional weight	9
4 Handle compl.	11
3 Two-hand switch 20A	14
5 Electronic	16
6 Gearmotor	18
7 Circuit	20
8 Tool Kit	22
9 Accessories	23
Triple disc plate 2016 Spider	24
1 Triple-disc-plate	26
2 Satellite Disc Velcro	28
3 Discs and Pads	30

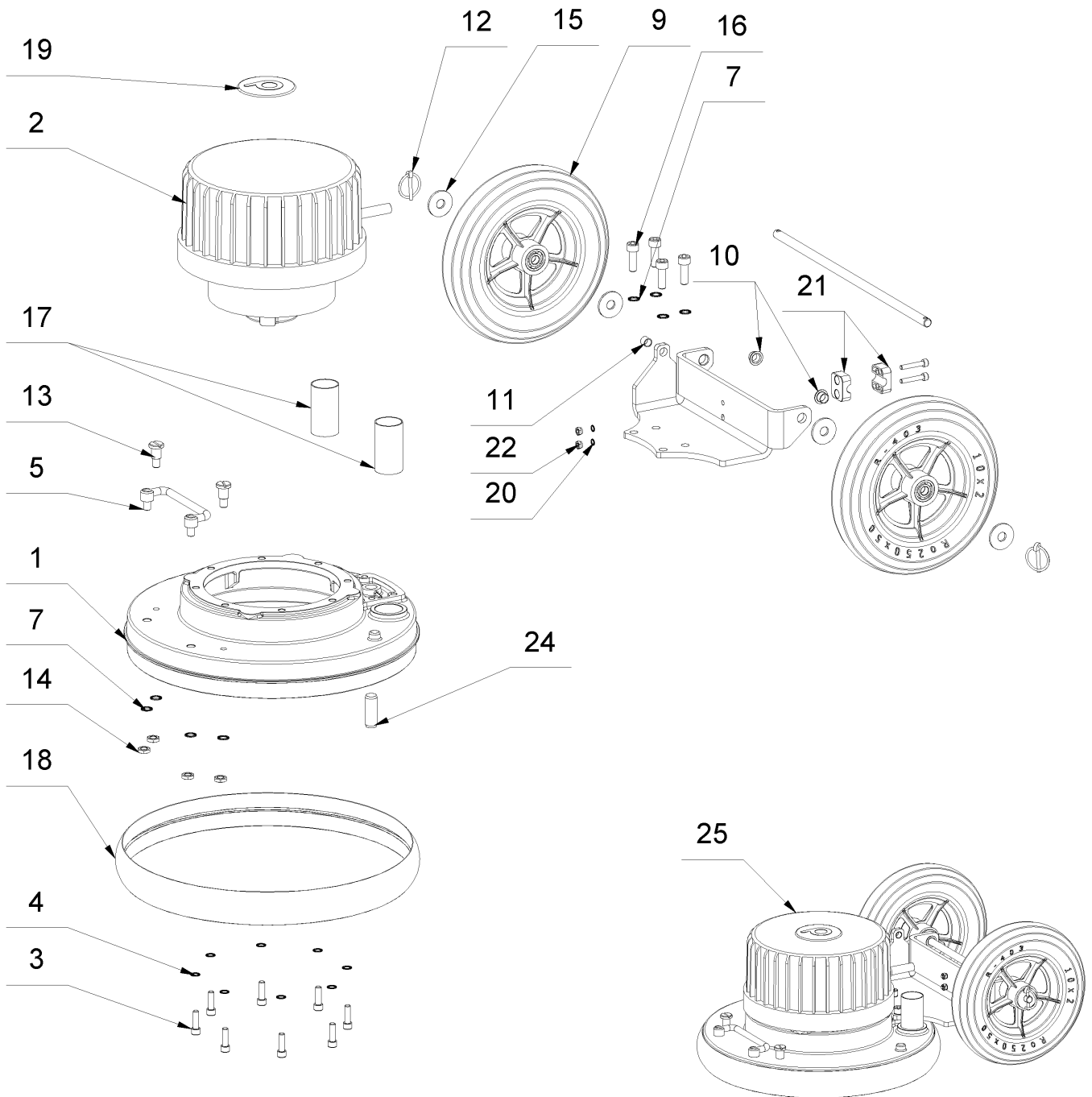
Pallmann Spider USA 0001/2013 - up to now



Pallmann Spider USA 0001/2013 - up to now

Item no.	Article no.	Description
1	01_01_088751	Motor housing
2	01_02_080385	Dust seal
3	01_03_072070	Additional weight
4	01_04_080385	Handle compl.
5	01_05_088753	Electronic
6	01_06_072071	Gearmotor
7	01_08_072070	Circuit
8	01_08_080167	Tool Kit
9		Accessories

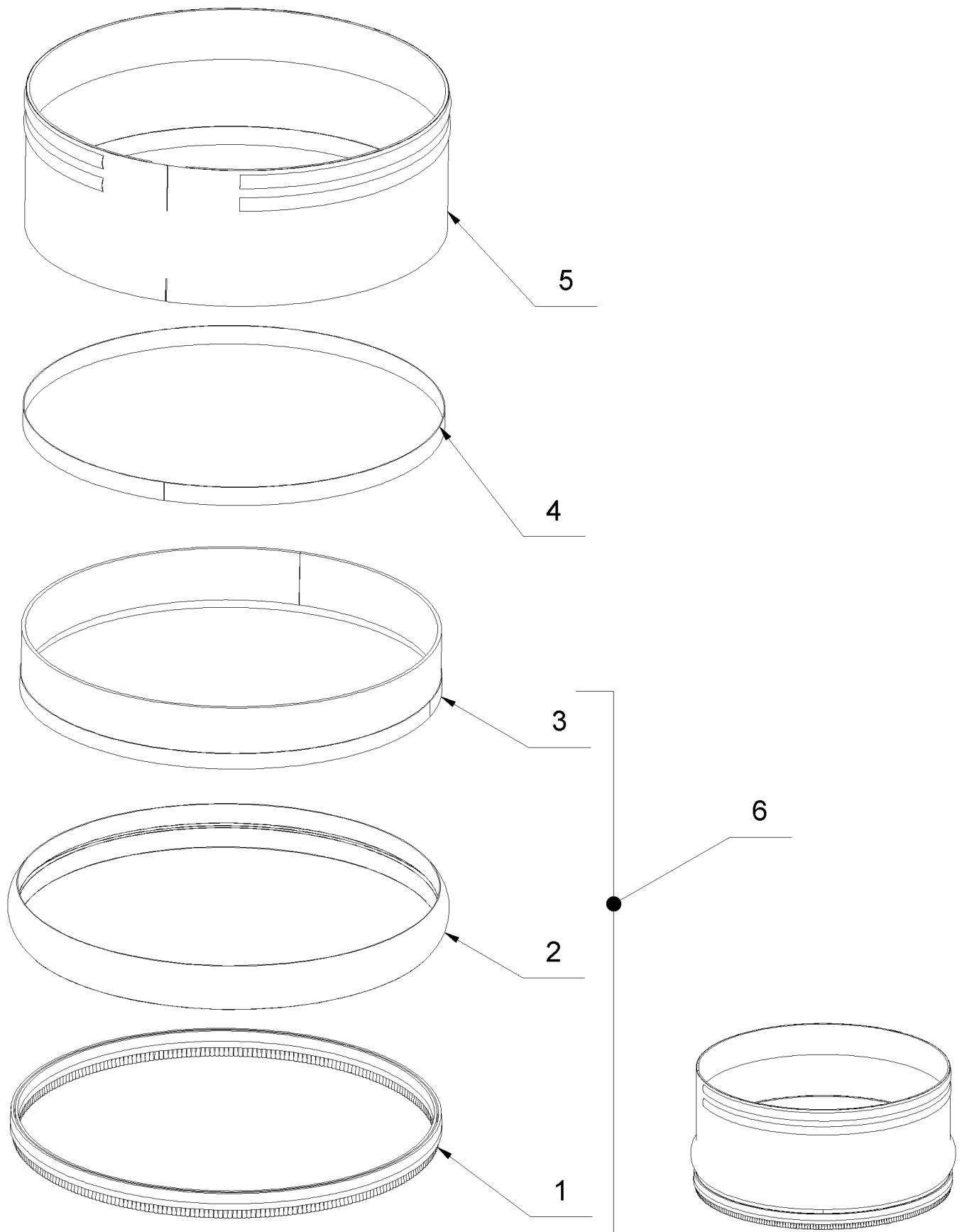
1 Motor housing



1 Motor housing

Item no.	Article no.	Description	Quantity
1	088767	Motor housing grey Spider Pallmann USA	1
2	072071	Motor Brushless10:1 Clarke DSW400	1
3	037936	Socket Head Cap Screw 5/16"-18UNC x 2"	8
4	014860	Schnorr Washer M8	8
5	072139	Foldable handle DSW400	1
6	072183	Chassis DSW400	1
7	014861	Washer M10	8
8	072141	Axle chassis DSW400	1
9	072229	Wheel d250mm DSW400	2
10	019090	Bushing BB 1209 DU	2
11	014912	Bushing 1010	1
12	014888	Wheel pin 4,5mm	2
13	072156	Flat head screw M10x16 DIN 923	2
14	017667	Hexagon nut M10 DIN 936	4
15	017637	Washer 13x37x3 DIN 9021	4
16	018300	Cylinder head screw M10x30 DIN 912	4
17	072338	Vacuclean suction tubed38x1,5 DSW400	2
18	072068	Rubber shock housing l=1220 DSW400	1
19	129934	Label Pallmann 3D Ø 80mm	1
20	014859	Schnorr washer M6	2
21	014995	Cable clamp (2 screws 1 cable)	2
22	014815	Hexagon nut M6 DIN 985	2
23	018264	Cylinder head screw M6x35 DIN 912	2
24	089087	Cylinder pin DIN 7 - 16x45	1
25	088751	Motor housing cpl.Spider Pallmann USA	1

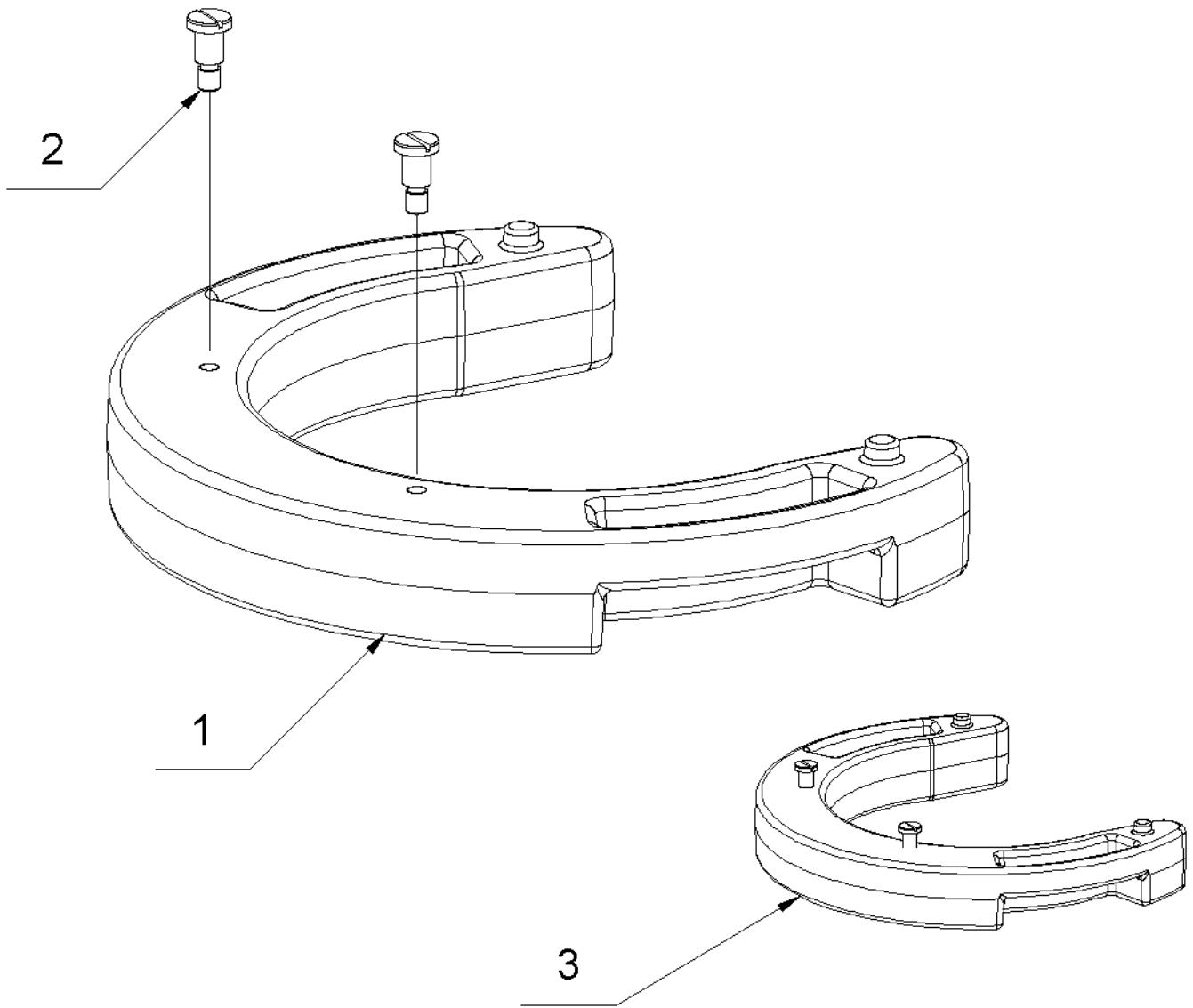
2 Dust seal



2 Dust seal

Item no.	Article no.	Description	Quantity
1	072158	Brush f.dust seal DSW400	1
2	072069	Rubber shock dust seal l=1320mmDSW/Spide	1
3	072149	Dust seal DSW400	1
4	086024	Velcro 20x1330 dust sleeve	1
5	152523	Tight cuff conic Spider	1
6	072157	Dust seal ring 10mm cpl. DSW400/Spider	1

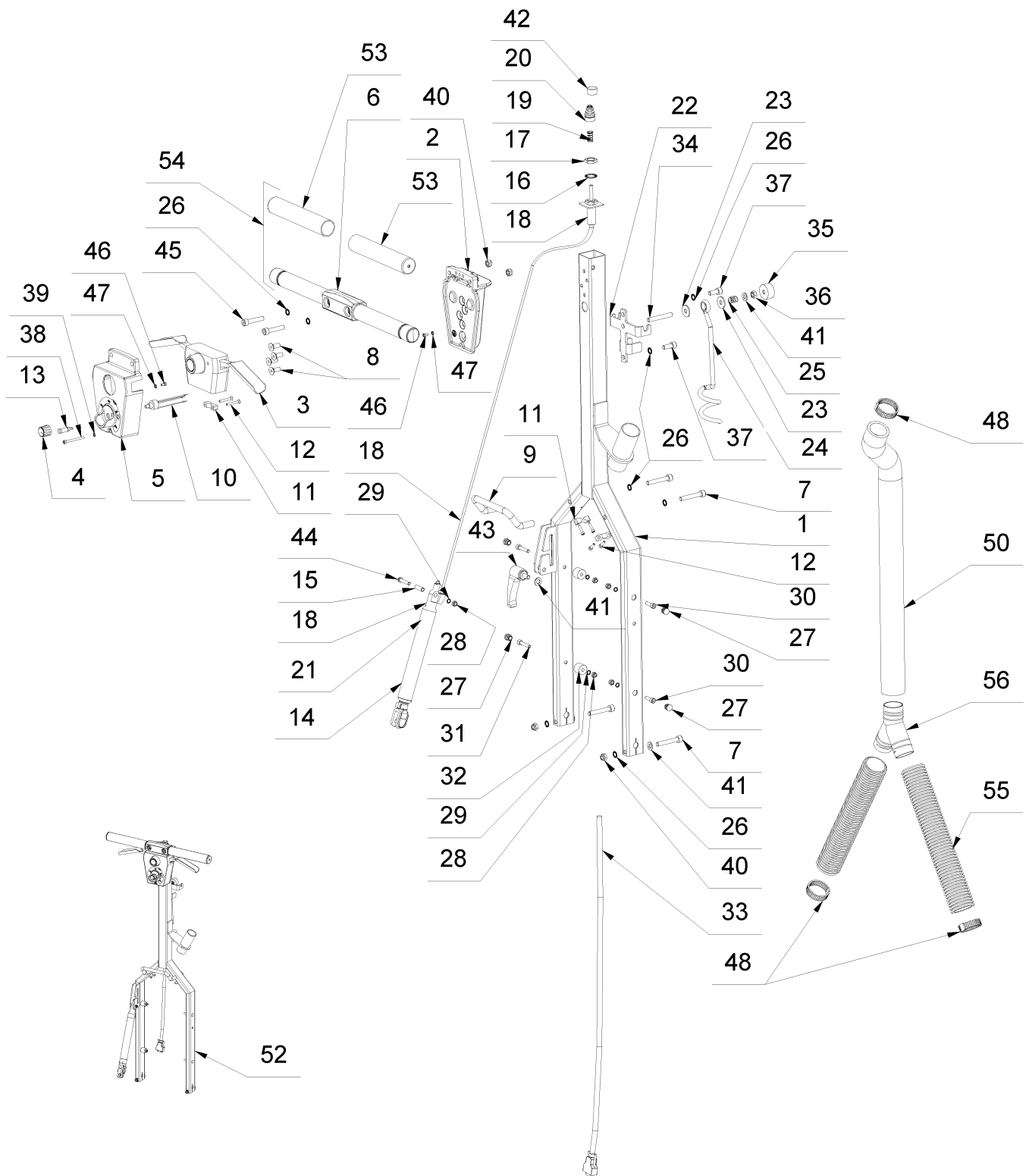
3 Additional weight



3 Additional weight

Item no.	Article no.	Description	Quantity
1	072148	Additional weight 400	1
2	072156	Flat head screw M10x16 DIN 923	2
3	072225	ADDITIONAL WEIGHT 400	1

4 Handle compl.



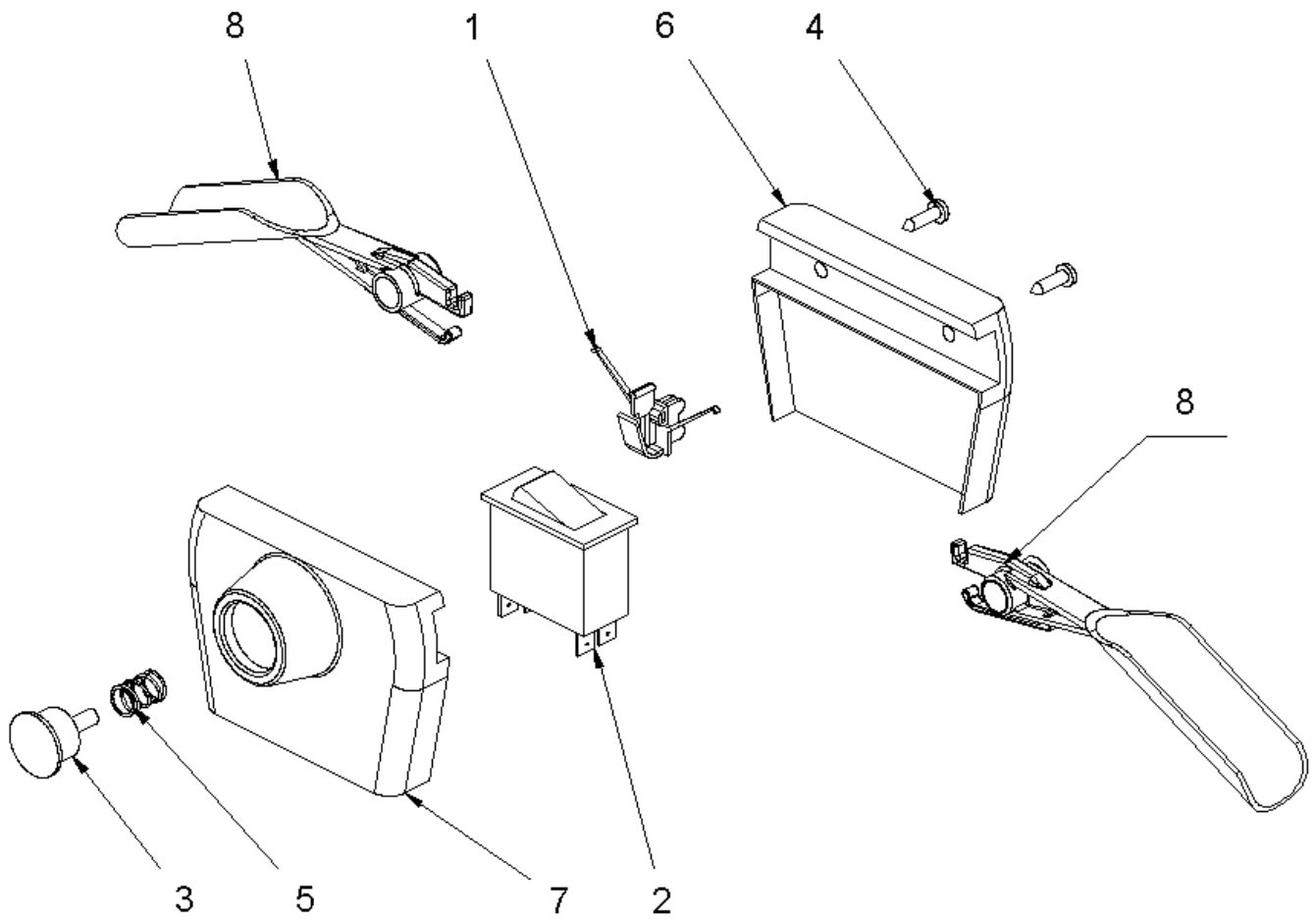
4 Handle compl.

Item no.	Article no.	Description	Quantity
1	072135	SG Handle DSW400	1
2	061745	Switch housing anthrazit MamboEvo	1
3	015000	Two-hand switch 20A	1
4	014647	Knob with cover f.potentiometer	1
5	078323	Base support orange Spider	1
6	086134	Handgrip round long Ø31 x 470 mm	1
7	017551	Cylinder head screw M8x50 DIN 912	4
8	014760	Countersunk screw M8x20 DIN 7991 10.9	4
9	072153	Machine handle angled	1
10	037939	Potentiometer 5KOhm with cable	1
11	017709	Cable clamp plastic	4
12	017743	Cylinder head screw M4x16 DIN 912	4
13	083823	LED for signal lamp	1
14	072136	Gas pressure spring DSW400	2
15	081841	Axle tube verzinkt 21,8x8x6,2	1
16	034216	Safety washer M16	1
17	077761	Lock nut M16x1,5 DIN 439	3
18	072138	Trigger head DSW400	2
19	060727	Pressure spring 10,80x20x0,80	1
20	060722	Rubber gaiter Mambo Evo/Spider	1
21	060733	Bearing damper Mambo Evo/Spider	1
22	038934	Clamping device f.cable arm set Mambo 2	1
23	018737	Washer 8,4 DIN 9021	2
24	016665	331/40 Cable arm short USA	1
25	043827	Pressure spring 13x20x1,5	1
26	014860	Schnorr Washer M8	8
27	068566	Stopper Ø13,0x0,75 black	4
28	014815	Hexagon nut M6 DIN 985	5
29	014859	Schnorr washer M6	5
30	014730	Cylinder head screw M6x20 DIN 912	2
31	017678	Cylinder head screw M6x30 DIN 912	2
32	072140	Spacer sleeve DSW400	2
33	038032	Control cable Mambo 2	1
34	072483	Stud bolt M 8x45 DIN 835	1

4 Handle compl.

Item no.	Article no.	Description	Quantity
35	072486	Gummi-Metallpuffer 30x15-M8 Typ E	1
36	014810	Hexagon nut M8 DIN 934	1
37	014734	Cylinder head screw M8x20 DIN 912	2
38	017684	Cylinder head screw M4x45 DIN 912	1
39	016961	Snorr washer M4	1
40	014816	Hexagon nut M8 DIN 985	4
41	014828	Washer M8 DIN 125 A	4
42	060710	Switch Mambo Evo/Spider	1
43	072490	Clamping lever M 8x16	1
44	062844	Lens head screw M 6x30 ISO 7380	1
45	014738	Cylinder head screw M8x40 DIN 912	2
46	017473	Cylinder head screw M4x8 DIN 84 brass	2
47	017663	Tooth lock washer 4.3 Form A DIN 6797	2
48	086123	Hose clamp, 32-50mm	3
49	037047	Counter sunk screw M4x30 DIN 7991 Torx	2
50	089090	Hose antistatisch Ø38x700mm	1
52	078321	Handle cpl. DSW 400 Pallmann	1
53	086088	PVC-grip covering Ø30x180mm	2
54	086091	BG-handel round long	1
55	089089	Hose antistatisch Ø38x300mm	2
56	088769	Y- piece for spiral hose Ø38mm	1

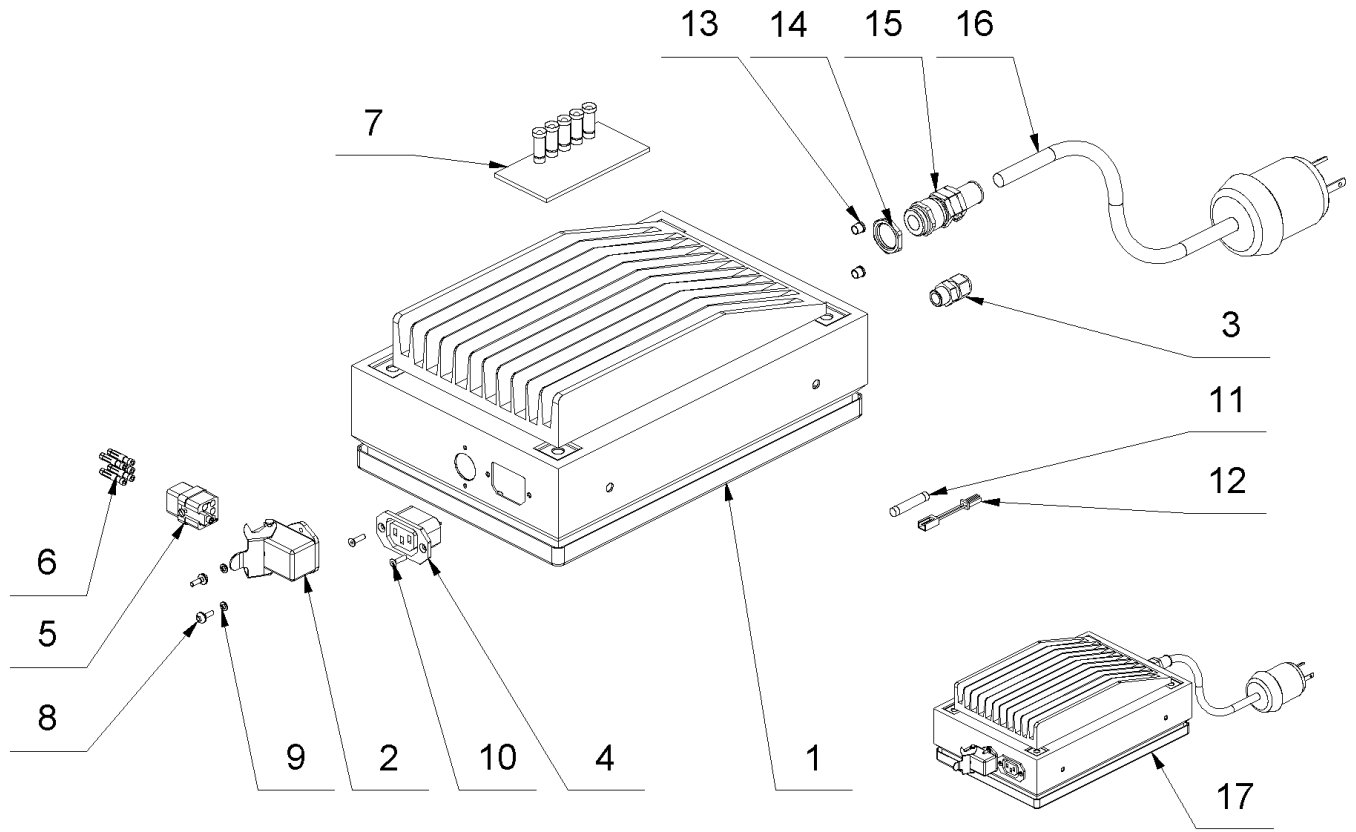
3 Two-hand switch 20A



3 Two-hand switch 20A

Item no.	Article no.	Description	Quantity
1	017449	Switch mechanics for two hand switch	1
2	019538	Switch 20A Mambo	1
3	019539	Push button Mambo	1
4	019540	Pan-head tapping screw 4.2x16 DIN 7981 C	2
5	072151	Switch housing blue DSW400	1
6	019547	Housing f.2hand switch Mambo	1
7	019548	cover for Two-hand switch Mambo	1
8	019549	Shift handle for two-hand switch Mambo	2

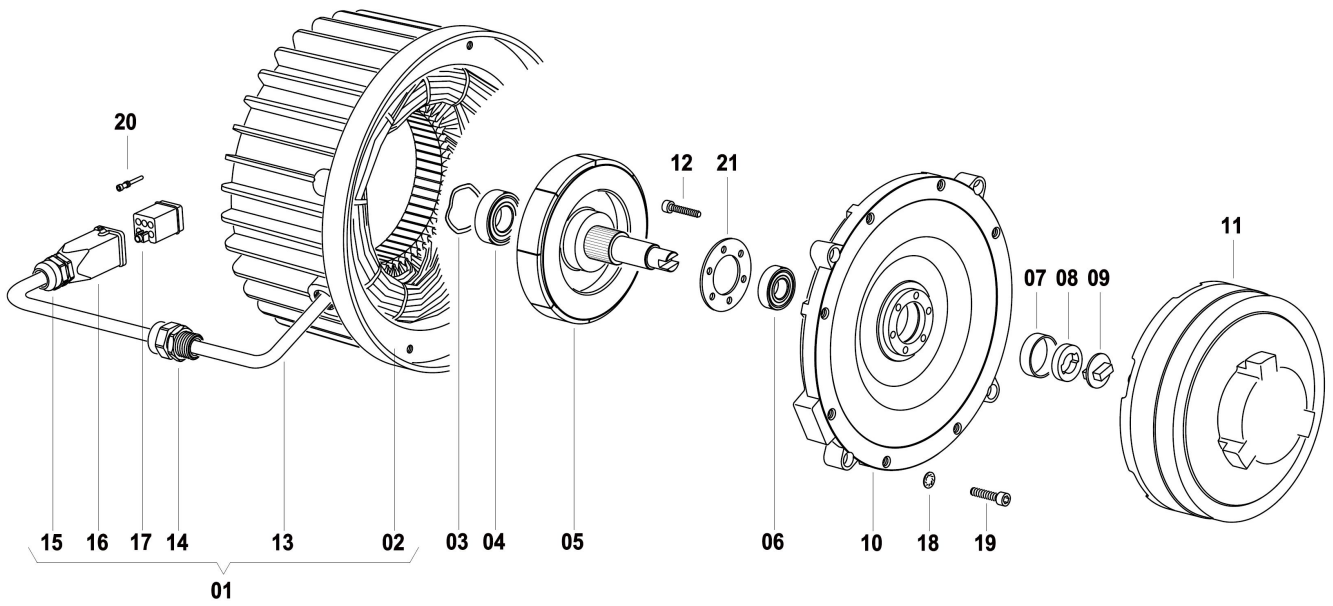
5 Electronic



5 Electronic

Item no.	Article no.	Description	Quantity
1	080627	Terminal box Elektronik DSW400	1
2	039372	Housing Vario-Silent	1
3	047934	Screw connect M12x1,5 USA	1
4	039393	Installed equipment box Vario-Silent	1
5	080628	Bushing hole DSW400/Mambo	1
6	068007	Bushing Cayman Stripper	5
7	079816	LED Strip Electronic DSW400	1
8	016763	Lens screw M 3x16 DIN 7985	2
9	043830	Spring washer 4 DIN 127	2
10	018331	Countersunk screw M3x12 DIN 7991 10.9	2
11	071416	Electrical fuse 6,3x32mm flink 20A	1
12	085919	Adapter Resistance 380Ω DSW400	1
13	080764	Protection stopper Ø 6,6	2
14	088345	Lock nut M20x1,5	1
15	085448	Cable glandSR-M 20x1,5/KB9-11mm	1
16	088745	Supply line 3G2,5 ² Pallmann Spider USA	1
17	088753	Electronics cpl.230V Pallmann Spider USA	1

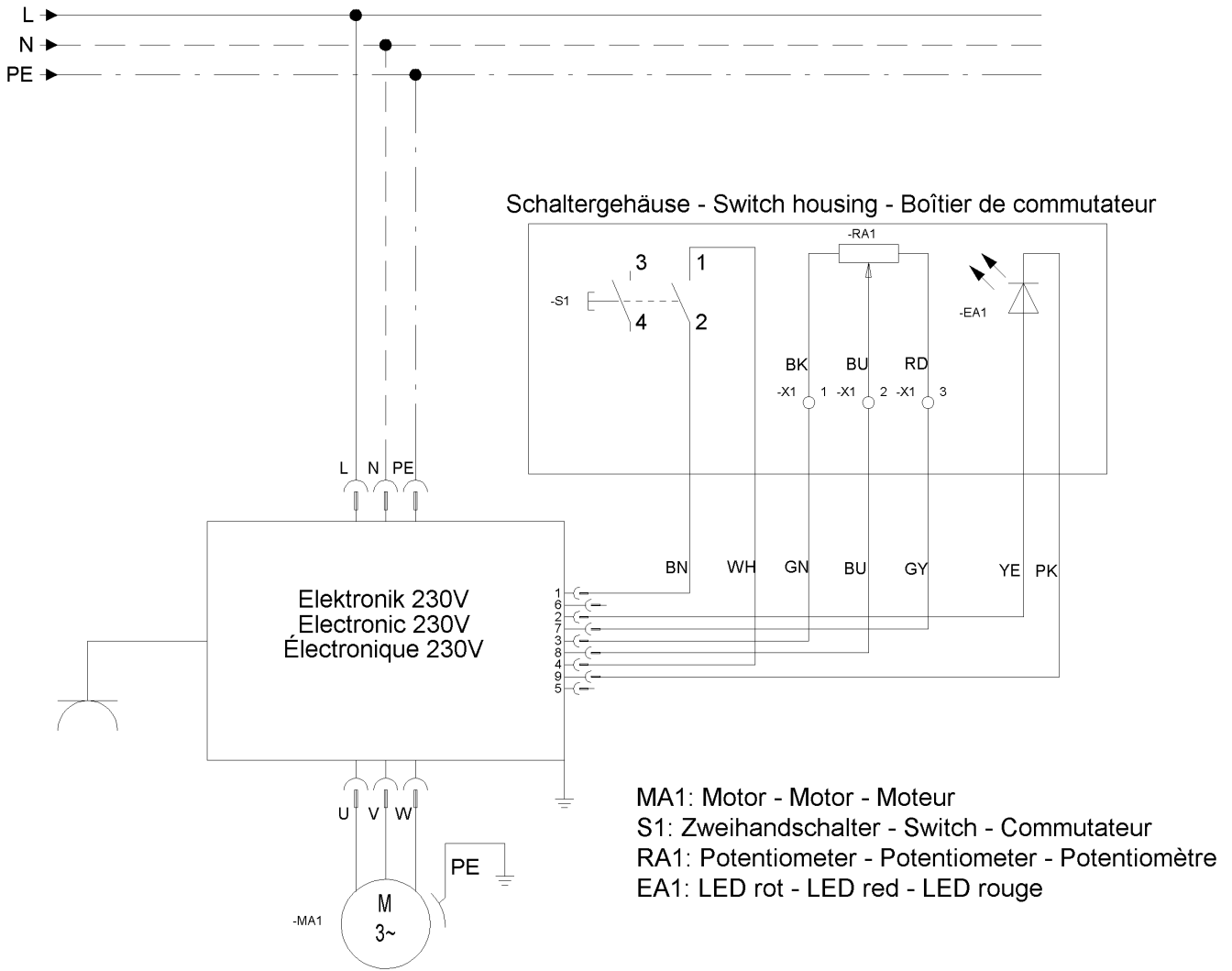
6 Gearmotor



6 Gearmotor

Item no.	Article no.	Description	Quantity
01		Motor, compl.	1
02		Stator	1
03	073323	Spring washer f.Motor Mambo	2
04	017210	Ball bearing 6203 2RS Eco-Motor	1
05	067882	Axle w.rotor Mambo Evo	1
06	014702	Ball-bearing 6002 2RS	1
07	064752	Spacer motor brushless Mambo 2	1
08	064753	Driving plate motor brushless Mambo 2	1
09	084248	Coupling piece motor Mambo/Spider	1
10	079171	Bearing plate motor Mambo	1
11	069159	Getriebe 10:1 mit Clark Kupplung	1
12	059872	Cylinder head screw 10-32 UNFx1 1/4ähnl	6
13		Cable	1
14	019299	Bolt joint PG 13.5 50013 PA	1
15	014992	Protective cut-out switch	1
16	079237	Housing	1
17	079236	Pinhole	1
18	014859	Schnorr washer M6	4
19	014731	Cylinder head screw M6x25 DIN 912	4
20		Contactors	5
21	082566	Washer MotorBrushless Mambo/Spider	1
22	059858	O-Ring 150x2	1
23	052320	O-Ring 50x2	6
24	059860	Sealing Ring Cu A 5x 9 DIN 7603	6

7 Circuit



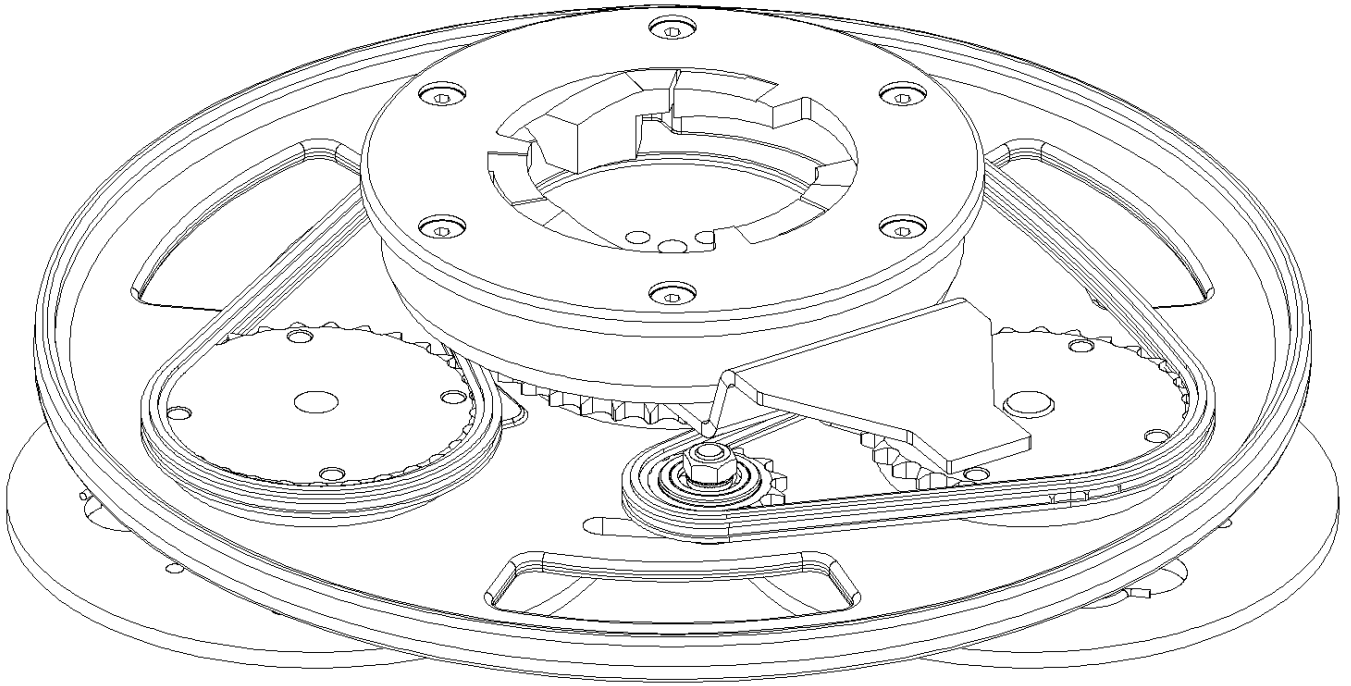
8 Tool Kit

Item no.	Article no.	Description	Quantity
1	075685	EXHAUST PAD 178MM	1
2	083903	CERAMIC VELCRO DISC 178 MM 10-HOLES K 50	1
3	083905	SICA VELCRO DISC 178 MM 10-HOLES K 80	1
4	079602	INTERMEDIATE DISK Ø178	1
5	075683	SUPPORT PAD 178MM	1
6	075684	SUPPRT PAD, SOFT 178MM	1
7	060253	Tool bag orange	1
8	016799	Open-end wrench SW13	1
9	015315	Hearing protectors	1
10	016732	Fine dust mask Gecko/URS/Cobra	1

9 Accessories

Article no.	Description	Quantity
060253	Tool bag orange	1
081696	Triple disc plate 2016 Spider	1
082539	El.cord 3G2,5x12,5m PallmannSpiderUSA	1
015315	Hearing protectors	1
016799	Open-end wrench SW13	1
075683	SUPPORT PAD 178MM	1
071416	Electrical fuse 6,3x32mm flink 20A	1

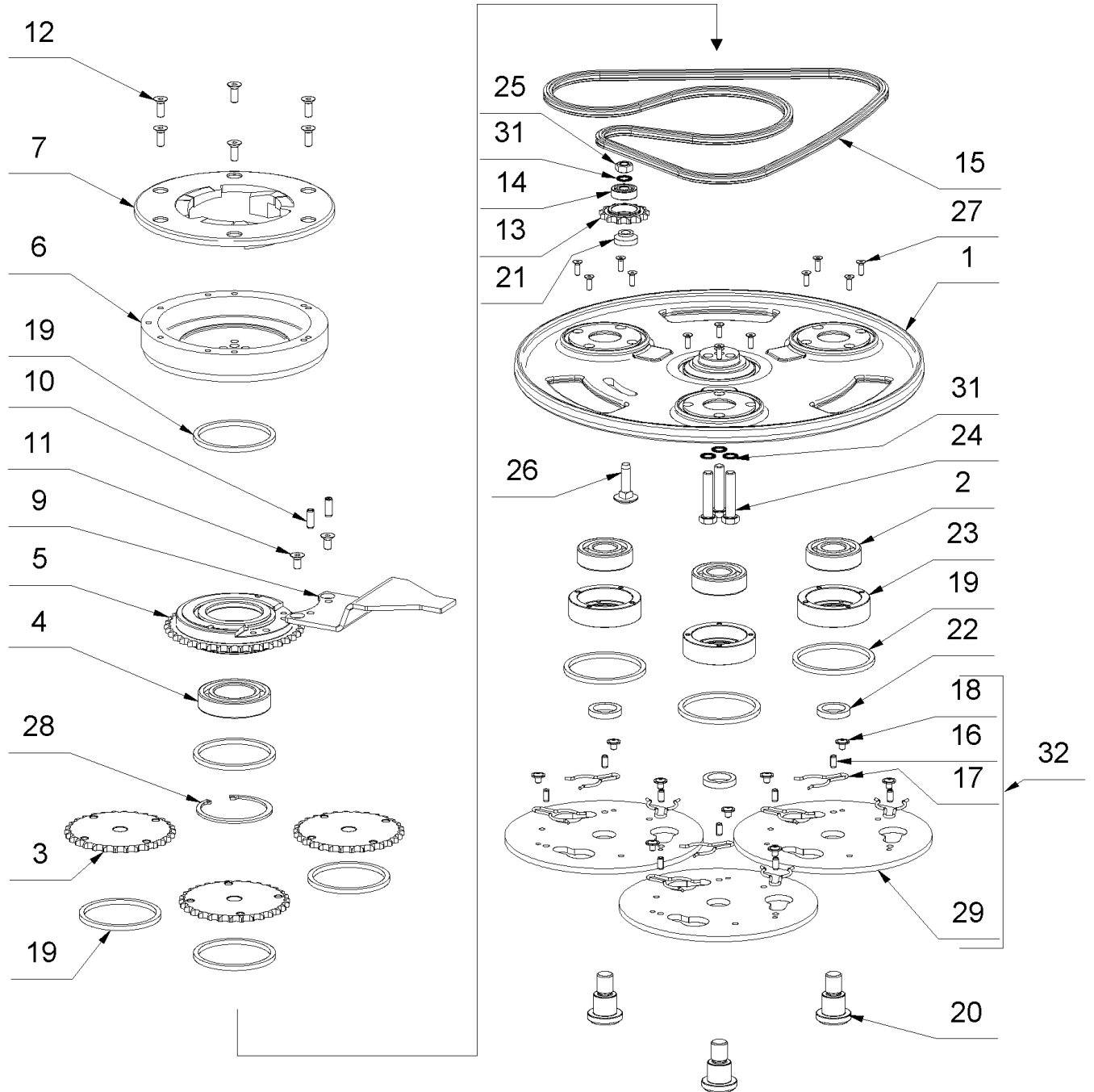
Triple disc plate 2016 Spider



Triple disc plate 2016 Spider

Item no.	Article no.	Description
1	04_01_081118	Triple-disc-plate
2	01_02_079612	Satellite Disc Velcro
3	01_03_072844	Discs and Pads

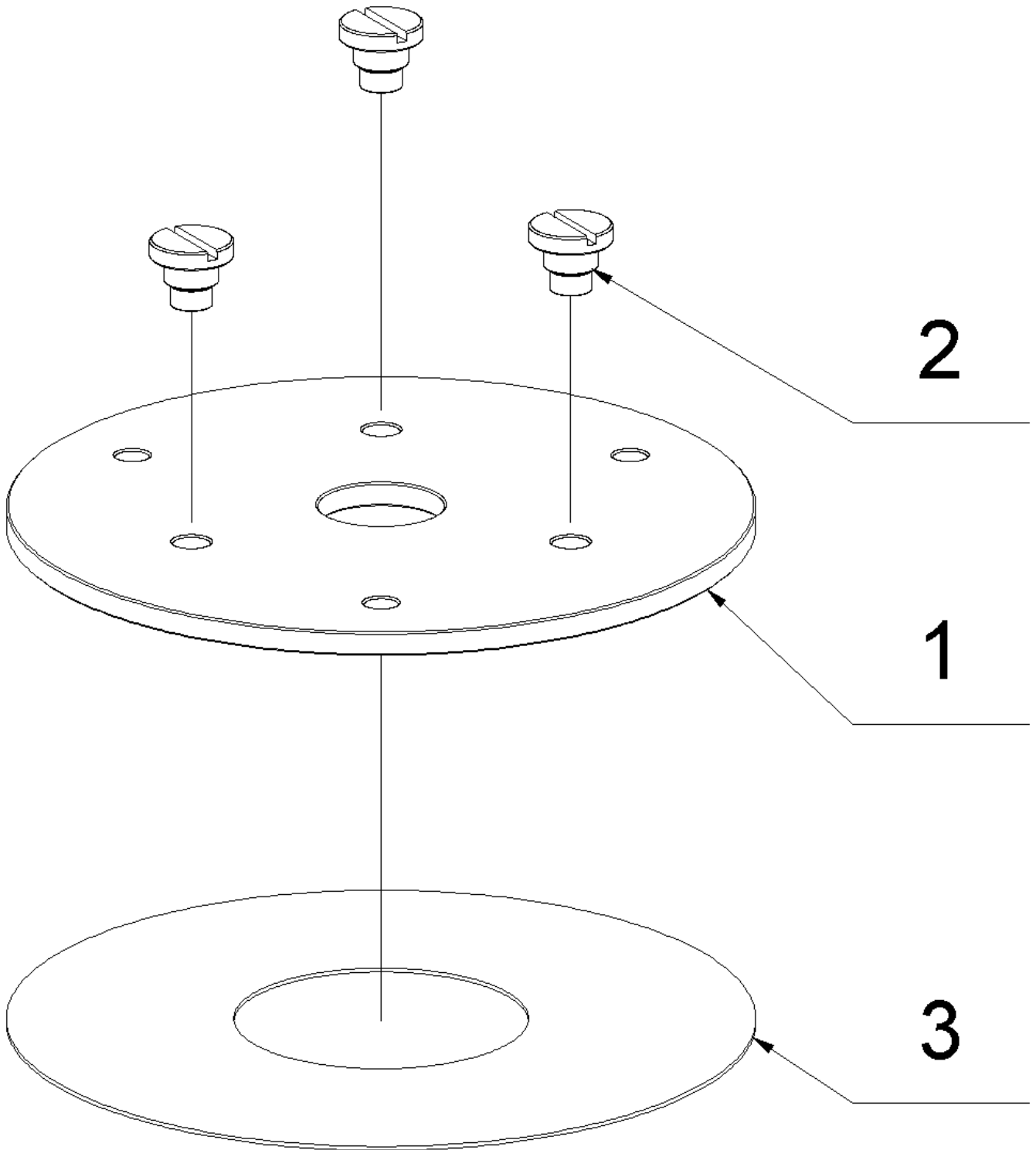
1 Triple-disc-plate



1 Triple-disc-plate

Item no.	Article no.	Description	Quantity
1	079831	CAst plate Three disc plate	1
2	073006	Ball bearing 6204 2RSH/C3GJN	3
3	072819	Sprocket wheel	3
4	073007	Ball bearing 6007 2RS1/C3GJN	1
5	080360	Sprocket wheel Z38	1
6	080353	Axle Drive shaft	1
7	072788	Clutch Malish Clarke	1
9	072817	Driving feature	1
10	018128	Cylindrical pin 6x 16 DIN 6325	2
11	014755	Countersunk screw M6x12 DIN 7991 10.9	2
12	014756	Countersunk screw M6x16 DIN 7991 10.9	6
13	078630	Chain wheel Z13 Dreischeibenteller 2015	1
14	078608	Ball bearing SKF DIN625-608-2RSH SH	1
15	073011	Roller chain 130 chain links	1
16	080684	spring pin 5x10 ISO 8752	9
17	080682	Spring	9
18	080689	Lens head screw M 5x 6 ISO 7380	9
19	080343	Felt ring Ø70xØ62x4	8
20	080352	Flange screw M14 LH	3
21	080348	Distance ring	1
22	080347	Ring Ø20xØ28x5	3
23	080346	VA bushing	3
24	014776	Hexagon bolt M 8x 40 DIN 931	3
25	014810	Hexagon nut M8 DIN 934	1
26	078627	Flat round screw M 8x 30 A2 DIN 603	1
27	017703	Countersunk screw M4x12 DIN 7991 10.9	12
28	014856	Safety washer I62 DIN 472	1
29	080754	Bayonet disc 2 Dreischeibenteller	3
31	014860	Schnorr Washer M8	4
32	081942	Spider Clutch Plate	1

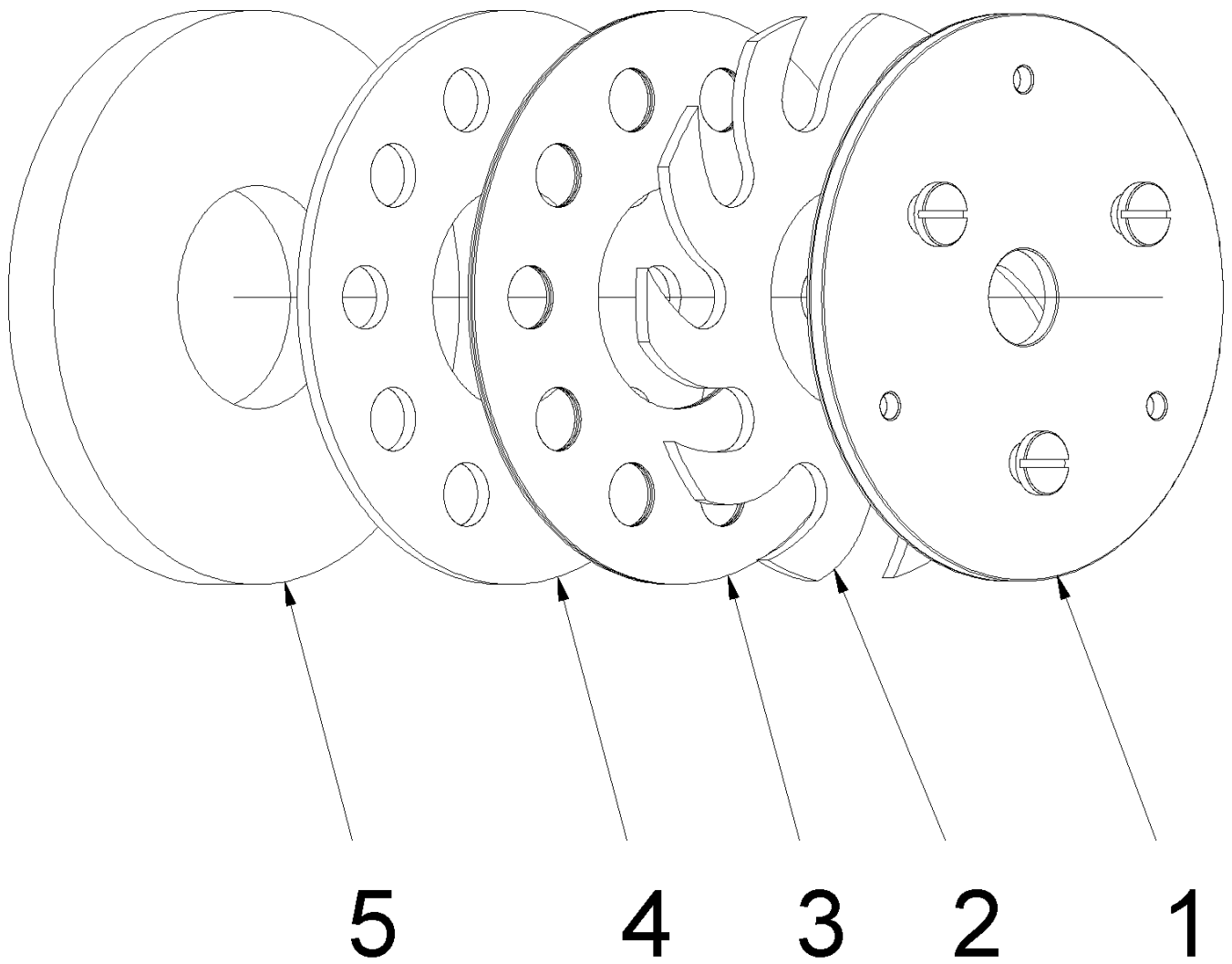
2 Satellite Disc Velcro



2 Satellite Disc Velcro

Item no.	Article no.	Description	Quantity
1	079614	Washer Klett Dreisch.teller	1
2	072815	Flat head screw M10x6	3
3	075687	Velcro disc blue 178mm	1

3 Discs and Pads



3 Discs and Pads

Item no.	Article no.	Description	Quantity
1	079612	Washer Velcro cpl.	1
2	075685	EXHAUST PAD 178MM	1
3	079602	INTERMEDIATE DISK Ø178	1
4	075683	SUPPORT PAD 178MM	1
5	075684	SUPPRT PAD, SOFT 178MM	1